

Датчик температуры, Минск т.80447584780

www.fotorele.net www.tiristor.by радиодетали, электронные компоненты

email minsk17@tut.by tel.+375 29 758 47 80 МТС

Радиодетали, электронные, компоненты, каталог, описание, реле, фотореле, технические, характеристики, datasheet, параметры, маркировка, габариты, фото, даташит, аналог, замена, Температурный, датчики, Infineon

QR код



ПАСПОРТ
купить, продажа,
Минск, Беларусь

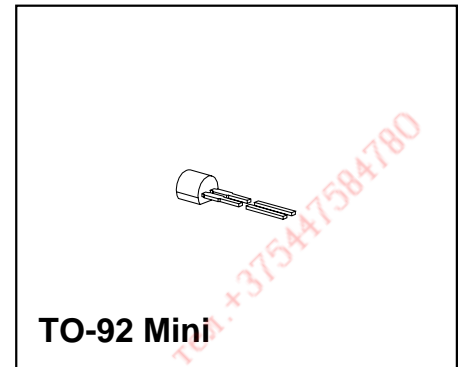
г. Минск www.fotorele.net www.tiristor.by email minsk17@tut.by тел.+375447584780

Silicon Spreading Resistance Temperature Sensor in Miniature Leaded Plastic Package

KT 110, KT 210,
KTY 11, KTY 21

Features

- Temperature dependent Resistor with Positive Temperature Coefficient
- Miniature plastic package for very small thermal time constants
- Fast response
- High reliability due to multilayer gold contacts
- n-conducting silicon crystal
- Polarity independent due to symmetrical construction
- Available selected in $\pm 1\%$ tolerance groups (KTY-series)



Type	Marking	Ordering Code	Pin Configuration		Package
			1	2	
KT 110	T-1	Q62705-K332	electrical contact	electrical contact	TO-92 Mini
KTY 11-5	T-5	Q62705-K245			
KTY 11-6	T-6	Q62705-K246			
KTY 11-7	T-7	Q62705-K247			
KT 210	N-1	Q62705-K334			
KTY 21-5	N-5	Q62705-K258			
KTY 21-6	N-6	Q62705-K259			
KTY 21-7	N-7	Q62705-K260			

Absolute Maximum Ratings

Parameter	Symbol	KT 110 KTY 11	KT 210 KTY 21	Unit
Maximum operating voltage ¹⁾ $T_A \leq 25^\circ\text{C}$, $t \leq 10\text{ ms}$	V_{opmax}	25		V
Maximum operating current	I_{opmax}	5	7	mA
Peak operating current $T_A \leq 25^\circ\text{C}$, $t \leq 10\text{ ms}$	I_{opp}	7	10	mA
Operating temperature range	T_{op}	- 50 ... + 150		$^\circ\text{C}$
Storage temperature range	T_{stg}	- 50 ... + 150		$^\circ\text{C}$

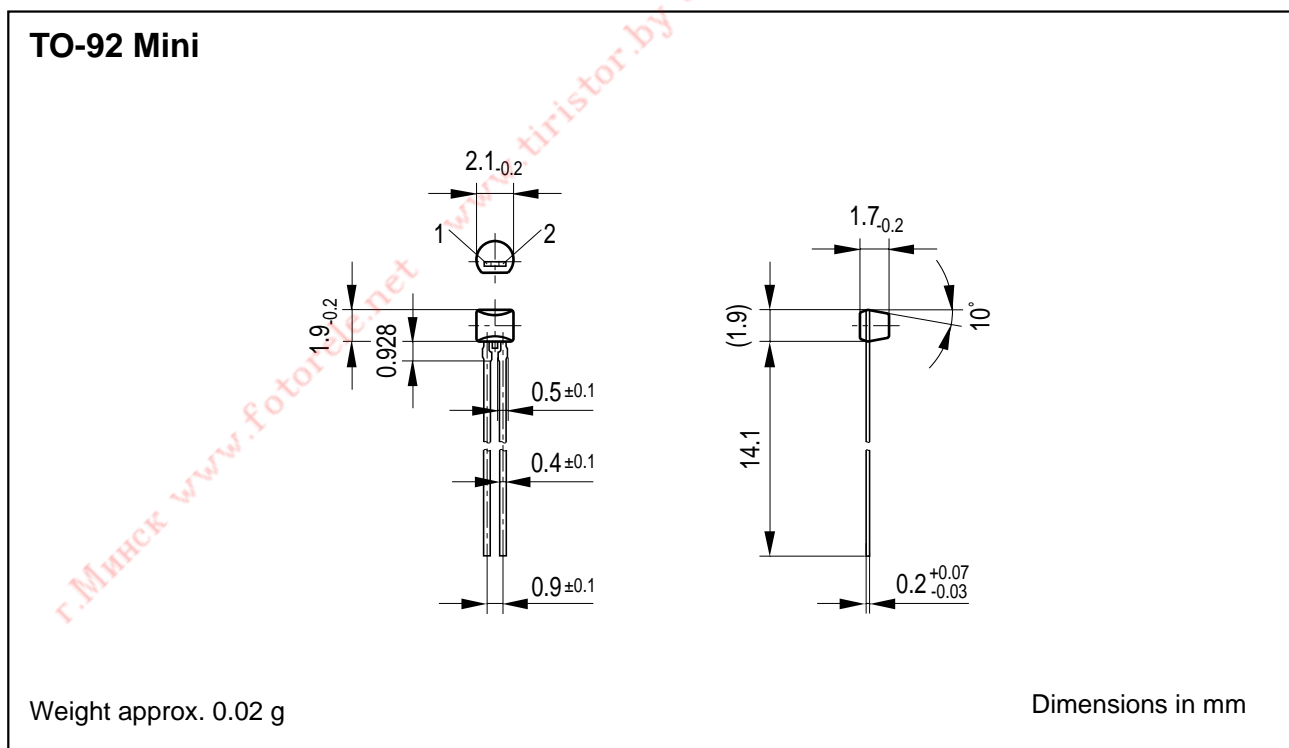
¹⁾ ESD Class 1. When the temperature sensor is operated with long supply leads, it should be protected through the parallel connection of a $> 10\text{ nF}$ capacitor to prevent damage to the sensor through induced voltage peaks.

Electrical Characteristics

at $T_A = 25\text{ }^\circ\text{C}$ unless otherwise specified

Parameter	Symbol	Limit Values			Unit
		min.	typ.	max.	
Temperature sensor resistance $I_B = 1\text{ mA}$	R_{25}				Ω
KT 110		1940	—	2060	
KTY 11-5		1950	—	1990	
KTY 11-6		1980	—	2020	
KTY 11-7		2010	—	2050	
KT 210		970	—	1030	
KTY 21-5		975	—	995	
KTY 21-6		990	—	1010	
KTY 21-7	1005	—	1025		
Thermal time constant (63% of ΔT_A)					s
in still air	τ_{air}	—	11	—	
in still oil (Freon FC40/PP7)	τ_{oil}	—	1.5	—	

Package Outline



Exterior Packaging

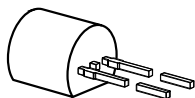
I.e. tubes, trays, boxes are shown in our Data Book "Package Information".

Silicon Temperature Sensors

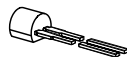
KT 100	KTY 10-x
KT 110	KTY 11-x
KT 130	KTY 13-x
KT 210	KTY 21-x
KT 230	KTY 23-x
KTY 16-6	KTY 19-6

Features

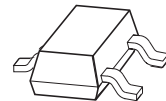
- Temperature dependent resistor with positive temperature coefficient
- Temperature range – 50 °C to + 150 °C (– 60 F to 300 F)
- Available in SMD or leaded or customized packages
- Linear output
- Excellent longterm stability
- Polarity independent due to symmetrical construction
- Fast response time
- Resistance tolerances (R_{25}) of $\pm 3\%$ or $\pm 1\%$



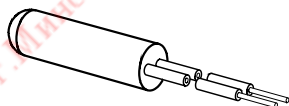
Modified TO-92



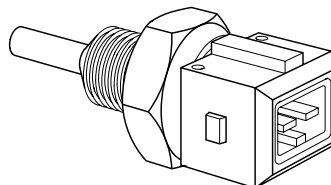
TO-92 Mini



SOT-23



KTY 16-6



KTY 19-6

Standard Packages

Type	Marking	Ordering Code	$R_{25 \text{ min}}$	$R_{25 \text{ max}}$	Package
			(in Ω with $I_{\text{op}} = 1 \text{ mA}$)		
KT 100	KT 100	Q62705-K331	1940	2060	TO-92
KT 110	T1	Q62705-K332	1940	2060	TO-92 Mini
KT 130	T1	Q62705-K333	1940	2060	SOT-23 ¹⁾
KT 210	N1	Q62705-K334	970	1030	TO-92 Mini
KT 230	N1	Q62705-K335	970	1030	SOT-23 ¹⁾
KTY 10-5	KTY 10-5	Q62705-K110	1950	1990	TO-92
KTY 10-6	KTY 10-6	Q62705-K132	1980	2020	TO-92
KTY 10-62	KTY 10-62	Q62705-K71	1990	2010	TO-92
KTY 10-7	KTY 10-7	Q62705-K111	2010	2050	TO-92
KTY 11-5	T5	Q62705-K245	1950	1990	TO-92 Mini
KTY 11-6	T6	Q62705-K246	1980	2020	TO-92 Mini
KTY 11-7	T7	Q62705-K247	2010	2050	TO-92 Mini
KTY 13-5	T5	Q62705-K249	1950	1990	SOT-23 ¹⁾
KTY 13-6	T6	Q62705-K250	1980	2020	SOT-23 ¹⁾
KTY 13-7	T7	Q62705-K251	2010	2050	SOT-23 ¹⁾
KTY 21-5	N5	Q62705-K258	975	995	TO-92 Mini
KTY 21-6	N6	Q62705-K259	990	1010	TO-92 Mini
KTY 21-7	N7	Q62705-K260	1005	1025	TO-92 Mini
KTY 23-5	N5	Q62705-K262	975	995	SOT-23 ¹⁾
KTY 23-6	N6	Q62705-K263	990	1010	SOT-23 ¹⁾
KTY 23-7	N7	Q62705-K264	1005	1025	SOT-23 ¹⁾

Custom Packages

Type	Marking	Ordering Code	$R_{25 \text{ min}}$	$R_{25 \text{ max}}$	Screw Thread
			(in Ω with $I_{\text{op}} = 1 \text{ mA}$)		
KTY 16-6	none	Q62705-K128	1980	2020	–
KTY 19-6M	KTY 19M	Q62705-K271	1980	2020	ISO M10x1
KTY 19-6Z	KTY 19Z	Q62705-K272	1980	2020	NPTF 1/8x27
Connector set for KTY 19		Q62901-B80			

¹⁾ Electrical contact between Pin1 and Pin2 (refer to package outlines drawing).

Absolute Maximum Ratings

Parameter	Symbol	KT 1x0 KTY 1x-x	KT 2x0 KTY 2x-x	Unit
Maximum operating voltage ¹⁾ $T_A \leq 25\text{ °C}, t \leq 10\text{ ms}$	V_{opmax}	25		V
Maximum operating current	I_{opmax}	5	7	mA
Peak operating current $T_A \leq 25\text{ °C}, t \leq 10\text{ ms}$	I_{opp}	7	10	mA
Operating temperature range	T_{op}	- 50 ... + 150		°C
Storage temperature range	T_{stg}	- 50 ... + 150		°C

¹⁾ When the temperature sensor is operated with long supply leads, it should be protected through the parallel connection of a > 10 nF capacitor to prevent damage to the sensor through induced voltage peaks.

Electrical Characteristics

$I_{\text{op}} = 1\text{ mA}$

Thermal Time Constant (τ); (63% of ΔT)	τ_{air} (typ.)	τ_{oil} (typ.)	Unit
KT 100, KTY 10-x	40	4	s
KT 110, KT 210, KTY 11-x, KTY 21-x	11	1.5	
KT 130, KT 230, KTY 13-x, KTY 23-x	7	1	
KTY 16-6	40	4	
KTY 19-6M/Z	40	4	

General Technical Data: KT- and KTY-Series Temperature Sensors

These temperature sensors are designed for the measurement, control and regulation of air, gases and liquids within the temperature range of $-50\text{ }^{\circ}\text{C}$ to $+150\text{ }^{\circ}\text{C}$. The temperature sensing element is an n-conducting silicon crystal in planar technology. The gentle curvature of the characteristic, $R_T = f(T_A)$, is described as a regression parabola in the following expressions.

The resistance of the sensor can be calculated for various temperatures from the following second order equation, valid over the temperature range $-30\text{ }^{\circ}\text{C}$ to $+130\text{ }^{\circ}\text{C}$.

$$R_T = R_{25} \times (1 + \alpha \times \Delta T_A + \beta \times \Delta T_A^2) = f(T_A)$$

$$\text{with: } \alpha = 7.88 \cdot 10^{-3} \text{ K}^{-1}; \beta = 1.937 \cdot 10^{-5} \text{ K}^{-2}$$

The temperature factor k_T can be derived from this:

$$k_T = \frac{R_T}{R_{25}} = 1 + \alpha \times \Delta T_A + \beta \times \Delta T_A^2 = f(T_A)$$

The temperature at the sensor can be calculated from the change in the sensors resistance from the following equation, which approximates the characteristic curve.

$$T = \left(25 + \frac{\sqrt{\alpha^2 - 4 \times \beta + 4 \times \beta \times k_T} - \alpha}{2 \times \beta} \right) ^{\circ}\text{C}$$

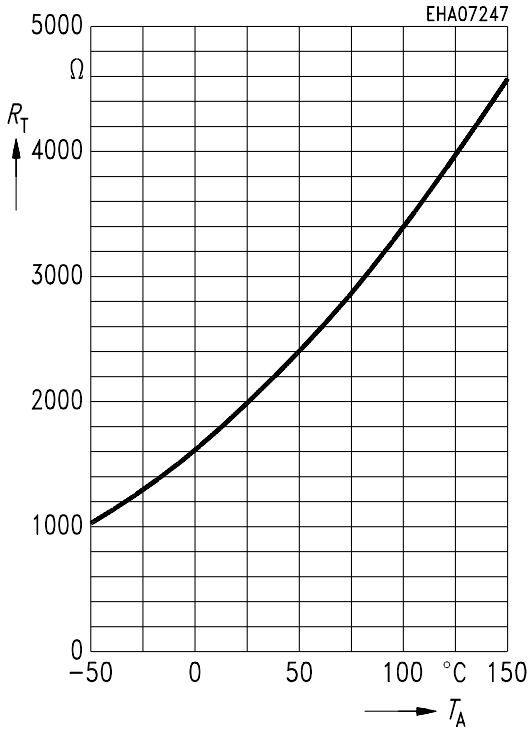
Table 1
Spread of the Temperature Factor k_T

T_A °C	k_T		
	min.	typ.	max.
- 50	0.506	0.518	0.530
- 40	0.559	0.570	0.581
- 30	0.615	0.625	0.635
- 20	0.676	0.685	0.694
- 10	0.741	0.748	0.755
0	0.810	0.815	0.821
10	0.883	0.886	0.890
20	0.960	0.961	0.962
25	1.0 ¹⁾		
30	1.039	1.040	1.041
40	1.119	1.123	1.126
50	1.204	1.209	1.215
60	1.291	1.300	1.308
70	1.383	1.394	1.405
80	1.478	1.492	1.506
90	1.577	1.594	1.611
100	1.680	1.700	1.720
110	1.786	1.810	1.833
120	1.896	1.923	1.951
130	2.010	2.041	2.072
140	2.093	2.128	2.163
150	2.196	2.235	2.274

1) Normalising point

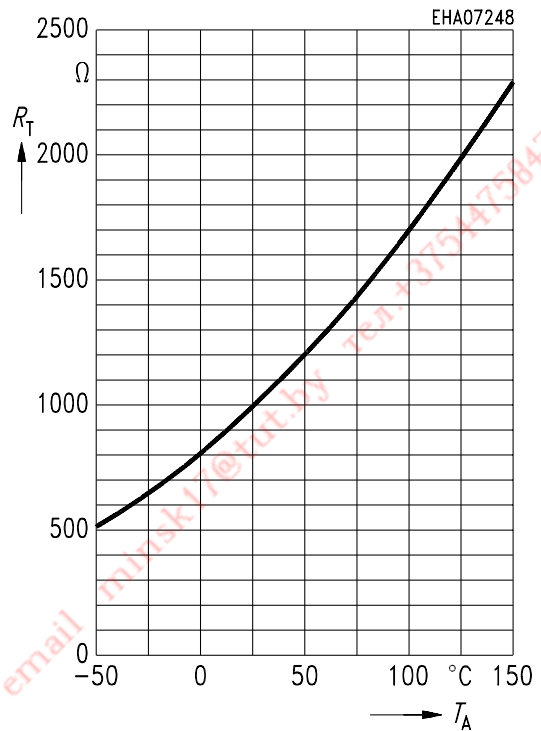
Sensor Resistance $R_T = k_T \times R_{25} = f(T_A)$

$I_B = 1 \text{ mA}$; Example: $R_{25} = 2000 \ \Omega$



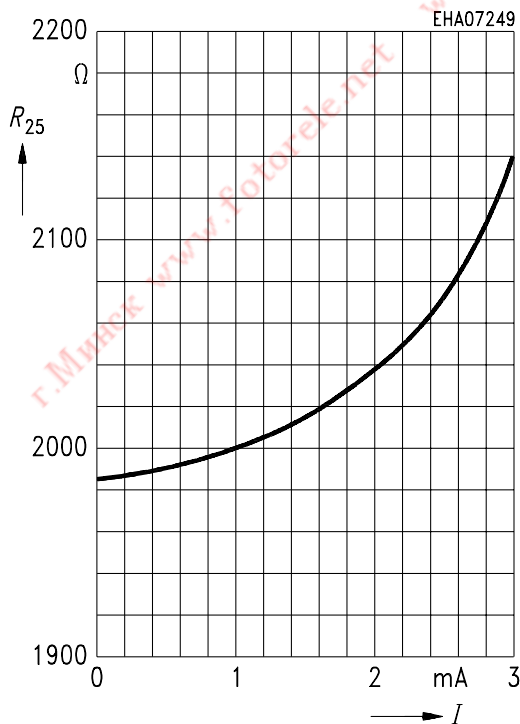
Sensor Resistance $R_T = k_T \times R_{25} = f(T_A)$

$I_B = 1 \text{ mA}$; Example: $R_{25} = 1000 \ \Omega$



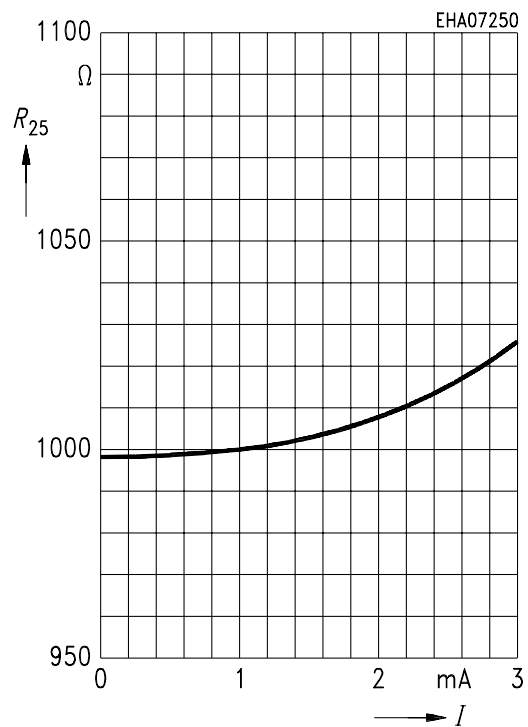
Typical Dependence of Sensor Resistance on Supply Current

Example: KTY 10-6 in oil at $T_A = 25 \text{ °C}$



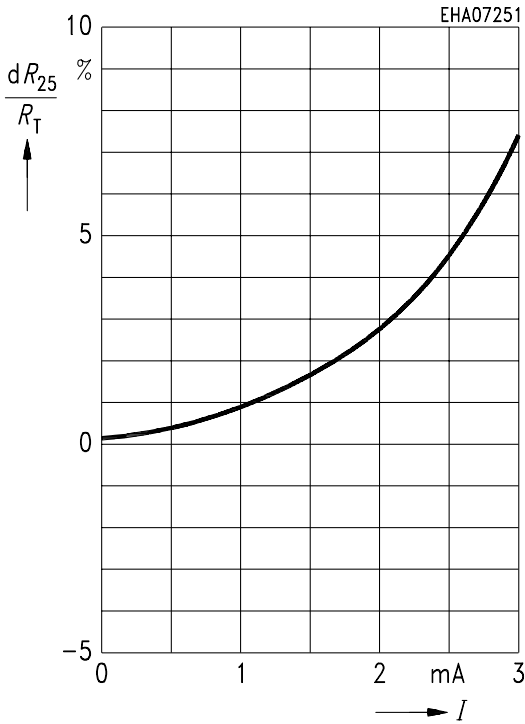
Typical Dependence of Sensor Resistance on Supply Current

Example: KTY 21-6 in oil at $T_A = 25 \text{ °C}$



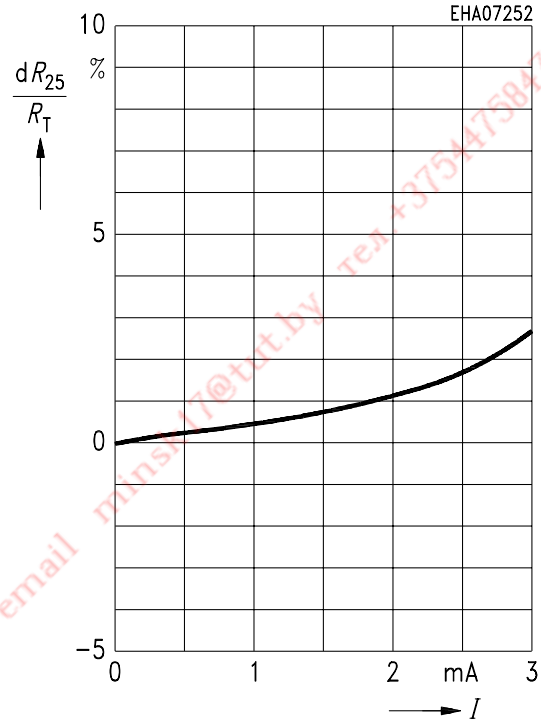
Typical Deviation of Sensor Resistance from the Basic Resistance R_{25} ($I_B = 1\text{mA}$) Versus Supply Current

Example: KTY 10-6 in oil at $T_A = 25\text{ }^\circ\text{C}$

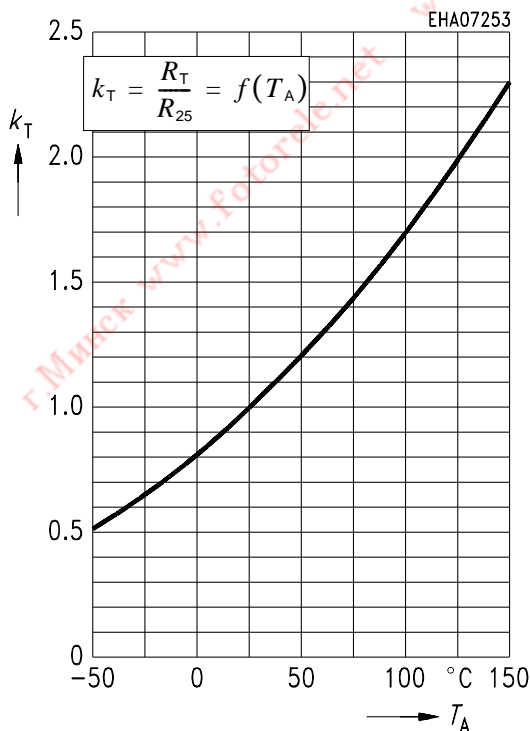


Typical Deviation of Sensor Resistance from the Basic Resistance R_{25} ($I_B = 1\text{mA}$) Versus Supply Current

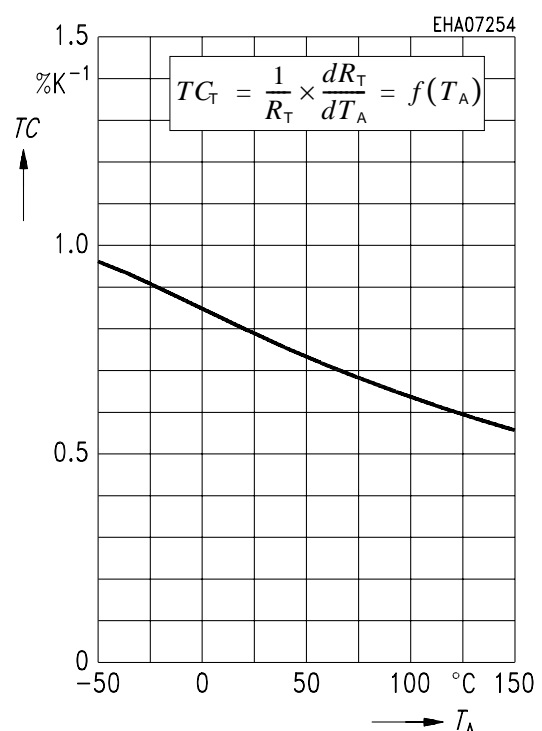
Example: KTY 21-6 in oil at $T_A = 25\text{ }^\circ\text{C}$



Typical Relationship of the Temperature Factor

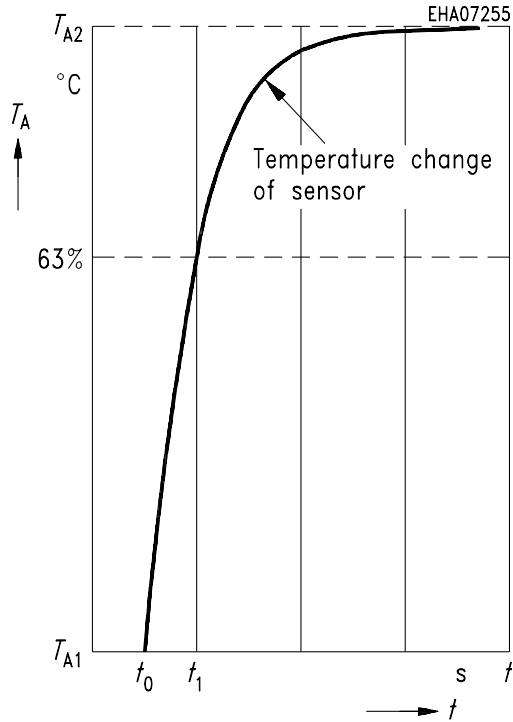


Typical Relationship of the Temperature Factor



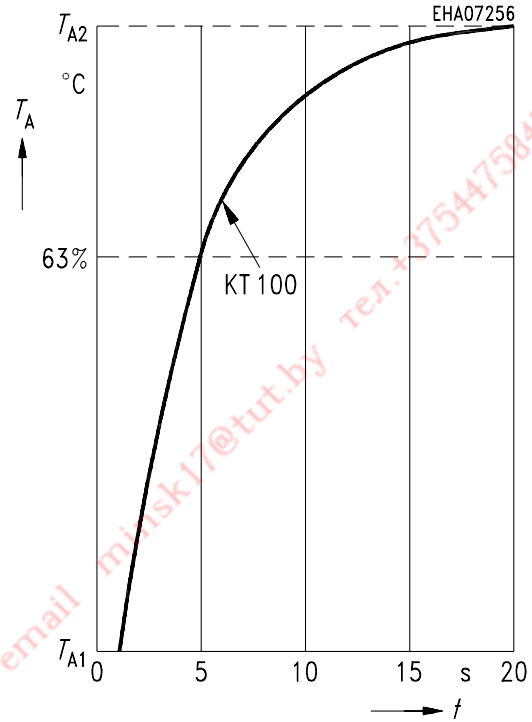
Definition of the Thermal Time Constant τ

$$\Delta T_A = T_{A2} - T_{A1}; \tau = t_1 - t_0$$



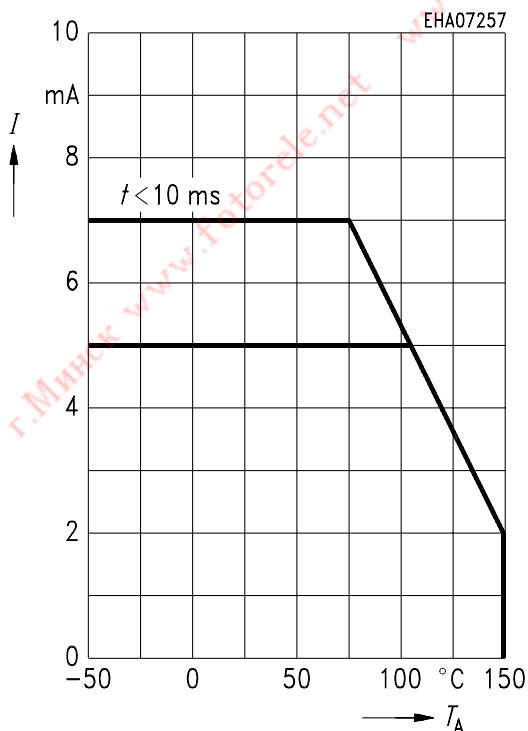
Thermal Time constant

$$\tau = 5 \text{ s}$$



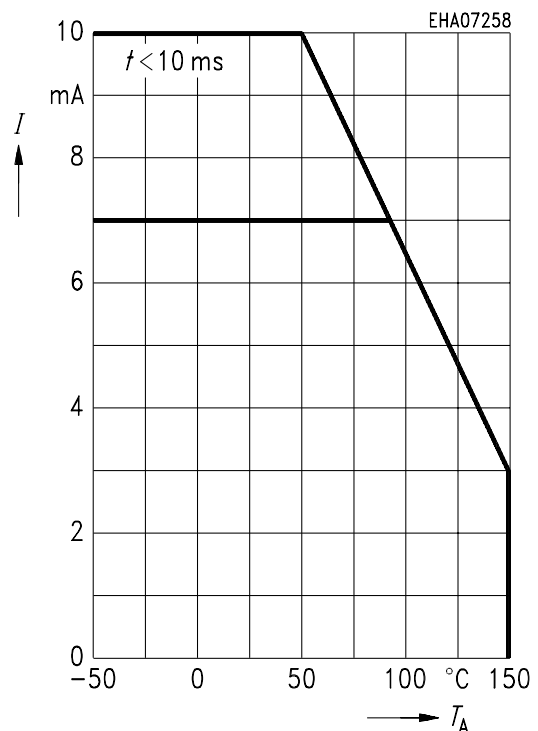
Peak Current in Air

$$R_{25} = 2000 \Omega; \hat{I} = f(T_A)$$

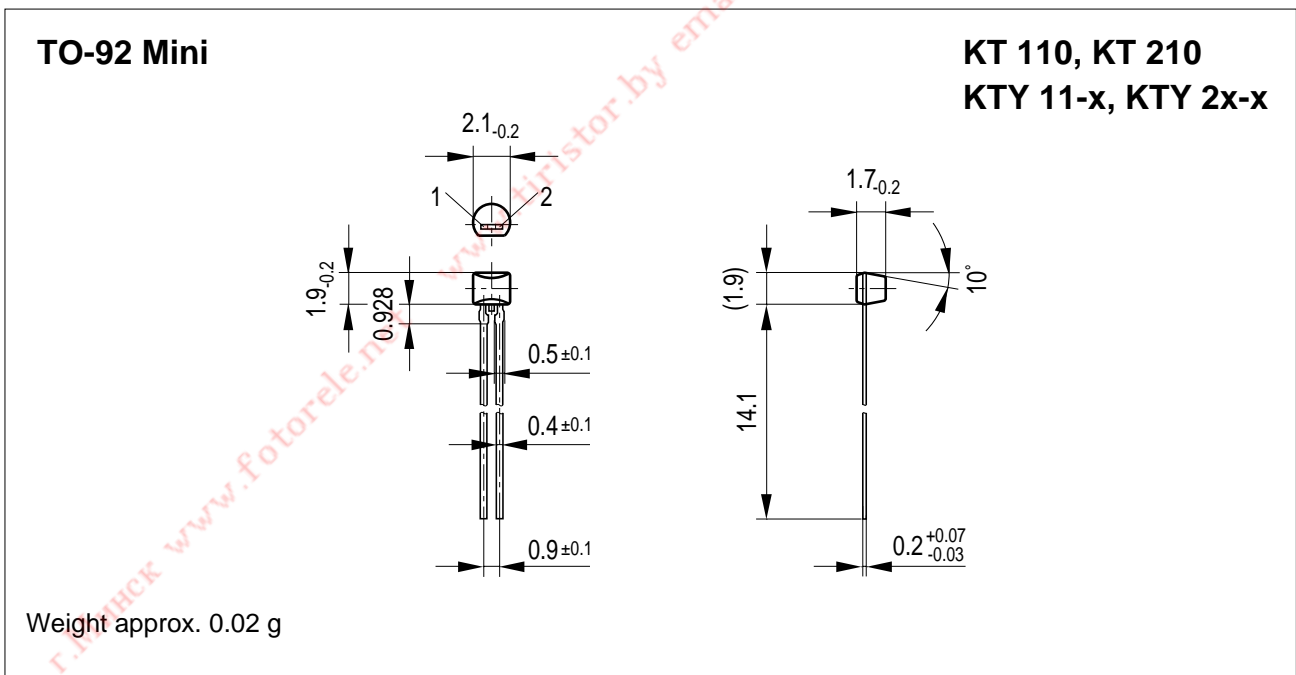
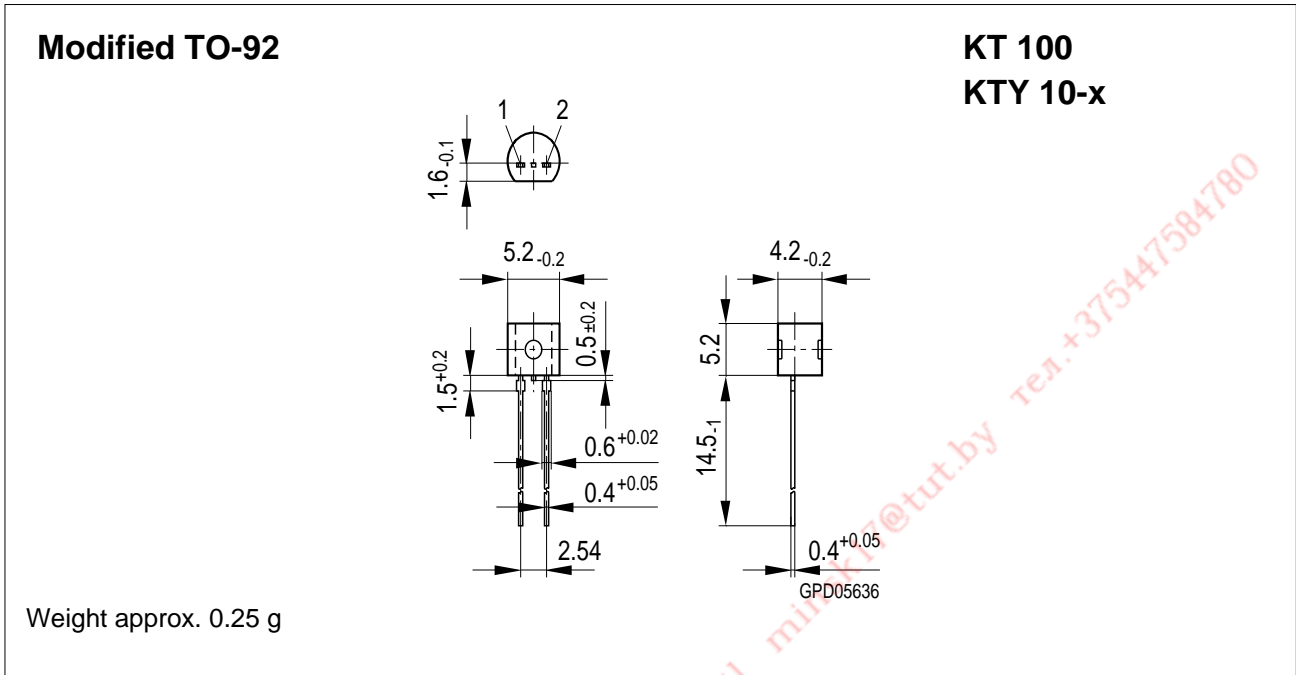


Peak Current in Air

$$R_{25} = 1000 \Omega; \hat{I} = f(T_A)$$



Package Outlines



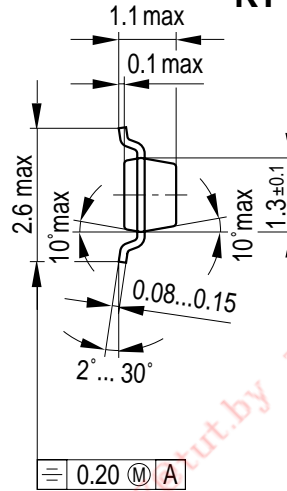
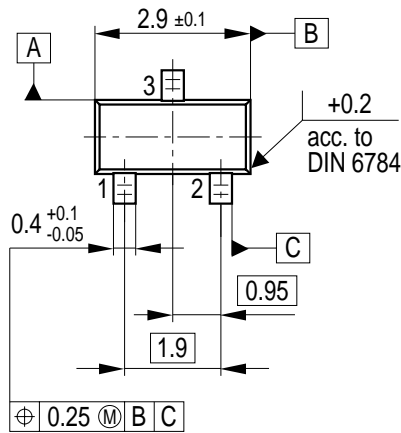
Sorts of Packing

Package outlines for tubes, trays etc. are contained in our Data Book "Package Information".

Dimensions in mm

SOT-23 (Small Outline Transistor)

KT 130, KT 230 KTY 13-x, KTY 23-x

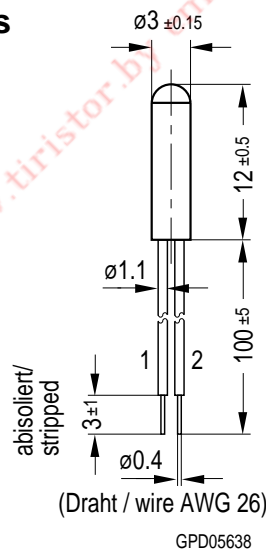


Weight approx. 0.01 g

Pins 1 - 2: R_{25}

Ni-plated Brass Tube Housing with Tefzel Isolated Leadwires

KTY 16-6



Weight approx. 0.07 g

Sorts of Packing

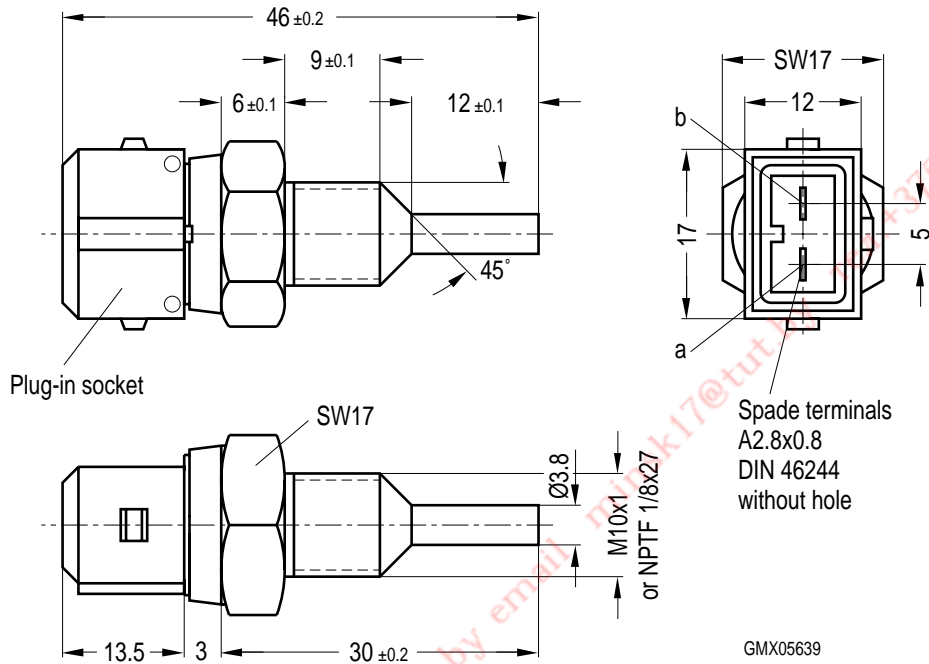
Package outlines for tubes, trays etc. are contained in our Data Book "Package Information".

SMD = Surface Mounted Device

Dimensions in mm

Stainless Steel Housing, BSS303 (equiv. DIN 1.4305)

KTY 19-6M/Z



Weight approx. 20 g

Sorts of Packing

Package outlines for tubes, trays etc. are contained in our Data Book "Package Information".

Dimensions in mm

Датчик температуры, Минск т.80447584780

www.fotorele.net www.tiristor.by радиодетали, электронные компоненты

email minsk17@tut.by tel.+375 29 758 47 80 МТС

Радиодетали, электронные, компоненты, каталог, описание, реле, фотореле, технические, характеристики, datasheet, параметры, маркировка, габариты, фото, даташит, аналог, замена, Температурный, датчики, Infineon

QR код



ПАСПОРТ
купить, продажа,
Минск, Беларусь

г. Минск www.fotorele.net www.tiristor.by email minsk17@tut.by тел.+375447584780