

Вентилятор YINGTIAN **Минск +375447584780 viber email minsk17@tut.by**
www.fotorele.net www.tiristor.by радиодетали, электронные компоненты
tel.+375 29 758 47 80 мтс тел город 8(017)3779133

КАТАЛОГ

ВЕНТИЛЯТОРЫ

ОСЕВЫЕ ВЕНТИЛЯТОРЫ

купить, продажа

электронные компоненты

[где и как купить в Минске?](#)



каталог, описание, технические, характеристики, datasheet, параметры,
маркировка, габариты, фото, модуль, Вентилятор, YINGTIAN



应天机电
YINGTIAN
MECHATRONICS



产品目录手册

PRODUCTS
CATALOG

深圳市应天机电设备有限公司

Shenzhen Ying Tian Mechatronics Equipment Co.,Ltd

Вентилятор YINGTIAN Model: 375447584780 viber



<http://www.sz-yt.net>

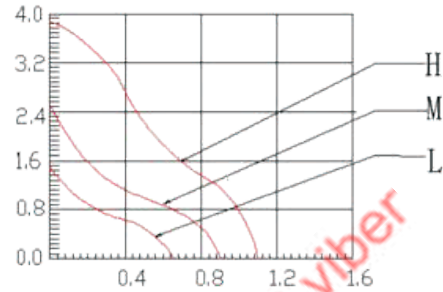
DC AXIAL FAN



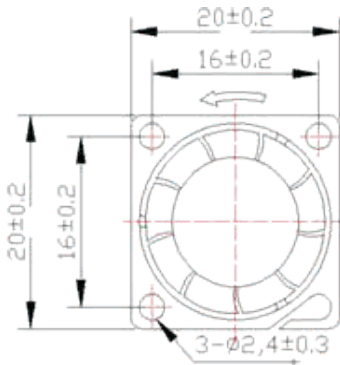
20x20x06mm DC FAN



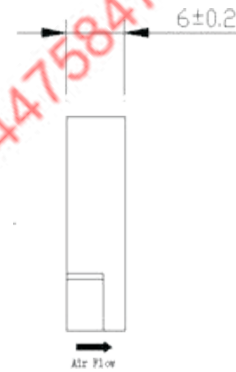
• Reference material



• Characteristic Curves



• Dimensions Drawing



• Dimensions Drawing

MODEL	CURRENT(A)	VOLTAGE (VDC)	SPEED (RPM)	AIR FLOW (CFM)	Air Pressure (mmAq)	NOISE (dBA)
YTD052006**15000	0.22	5	15000	1.41	5.22	33.65
YTD052006**12000	0.17	5	12000	1.02	3.69	26.87
YTD052006**9000	0.12	5	9000	0.77	2.02	20.34
YTD122006**15000	0.12	12	15000	1.41	5.22	33.65
YTD122006**12000	0.10	12	12000	1.02	3.69	26.87
YTD122006**9000	0.06	12	9000	0.77	2.02	20.34

Remarks:

1-Electric Characteristics:

- 1):Standard 2-Pin;
- 2):Frequency Generation 3-Pin or more.

2-Function :

- 1):Automatic Restart & Locked Current Protection;
- 2):Rotate Detection Automatic Restart & Locked Current Protection;
- 3):Pulse Width Modulation & Automatic Restart & Locked Current Protection (PWM).

The spec is for reference only, it's subject to change without any prior notice.

Note:

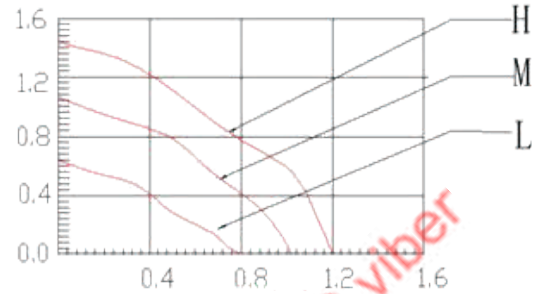
- ①- Reference standard: CCC GB12350-2009
- ②- Reference standard: UL
- ③- Reference standard: TUV

DC AXIAL FAN

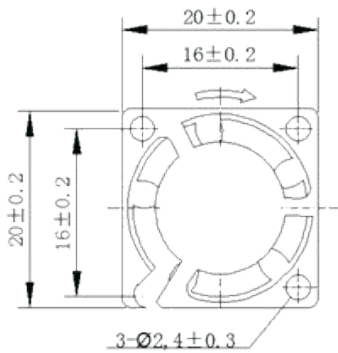
20x20x10mm DC FAN



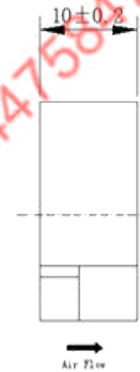
• Reference material



• Characteristic Curves



• Dimensions Drawing



• Dimensions Drawing

MODEL	CURRENT(A)	VOLTAGE (VDC)	SPEED (RPM)	AIR FLOW (CFM)	Air Pressure (mmAq)	NOISE (dBA)
YTD052010**16000	0.20	5	16000	1.89	7.23	37.28
YTD052010**12000	0.15	5	12000	1.27	3.93	27.13
YTD052010**9000	0.10	5	9000	0.85	2.32	20.55
YTD122010**16000	0.15	12	16000	1.89	7.23	37.28
YTD122010**16000	0.10	12	12000	1.27	3.93	27.13
YTD122010**16000	0.07	12	9000	0.85	2.32	20.55

Remarks:

1-Electric Characteristics:

1):Standard 2-Pin;

2):Frequency Generation 3-Pin or more.

2-Function :

1):Automatic Restart & Locked Current Protection;

2):Rotate Detection Automatic Restart & Locked Current Protection;

3):Pulse Width Modulation & Automatic Restart & Locked Current Protection (PWM).

The spec is for reference only, it's subject to change without any prior notice.

Note:

①- Reference standard: CCC GB12350-2009

②- Reference standard: UL

③- Reference standard: TUV

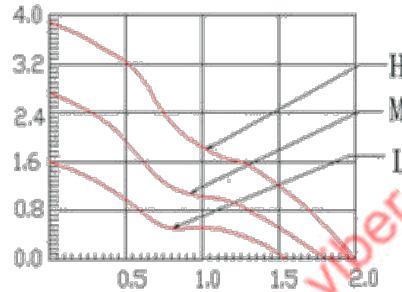
DC AXIAL FAN



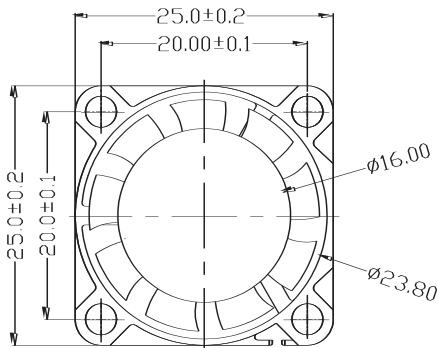
25x25x07mm DC FAN



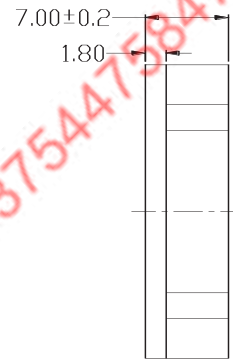
• Reference material



• Characteristic Curves



• Dimensions Drawing



• Dimensions Drawing

MODEL	CURRENT(A)	VOLTAGE (VDC)	SPEED (RPM)	AIR FLOW (CFM)	Air Pressure (mmAq)	NOISE (dBA)
YTD052507**14000	0.20	5	14000	2.69	4.55	26.40
YTD052507**12000	0.16	5	12000	2.30	3.74	23.52
YTD052507**9000	0.12	5	9000	1.80	2.64	20.58
YTD122507**14000	0.15	12	14000	2.69	4.55	26.40
YTD122507**14000	0.12	12	12000	2.30	3.74	23.52
YTD122507**14000	0.09	12	9000	1.80	2.64	20.58

Remarks:

1-Electric Characteristics:

- 1):Standard 2-Pin;
 - 2):Frequency Generation 3-Pin or more.
- 2-Function :

- 1):Automatic Restart & Locked Current Protection;
- 2):Rotate Detection Automatic Restart & Locked Current Protection;
- 3):Pulse Width Modulation & Automatic Restart & Locked Current Protection (PWM).

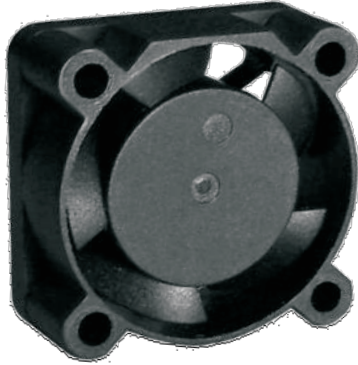
The spec is for reference only, it's subject to change without any prior notice.

Note:

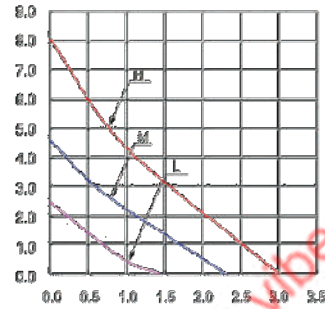
- ①- Reference standard: CCC GB12350-2009
- ②- Reference standard: UL
- ③- Reference standard: TUV

DC AXIAL FAN

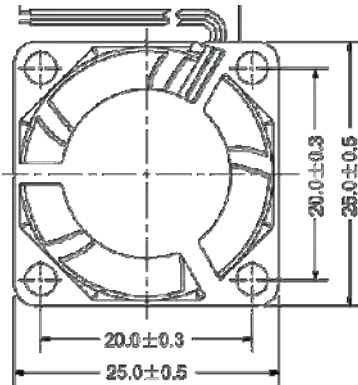
25x25x10mm DC FAN



• Reference material



• Characteristic Curves



• Dimensions Drawing



• Dimensions Drawing

MODEL	CURRENT(A)	VOLTAGE (VDC)	SPEED (RPM)	AIR FLOW (CFM)	Air Pressure (mmAq)	NOISE (dBA)
YTD052510**A300	0.25	5	13000	2.6	6.70	30
YTD052510**A000	0.19	5	10000	2.1	4.06	25
YTD052510**7000	0.14	5	7000	1.4	1.98	19
YTD122510**A300	0.11	12	13000	2.6	6.70	30
YTD122510**A000	0.08	12	10000	2.1	4.06	25
YTD122510**7000	0.06	12	7000	1.4	1.98	19

Remarks:

1-Electric Characteristics:

- 1):Standard 2-Pin;
- 2):Frequency Generation 3-Pin or more.

2-Function :

- 1):Automatic Restart & Locked Current Protection;
- 2):Rotate Detection Automatic Restart & Locked Current Protection;
- 3):Pulse Width Modulation & Automatic Restart & Locked Current Protection (PWM).

The spec is for reference only, it's subject to change without any prior notice.

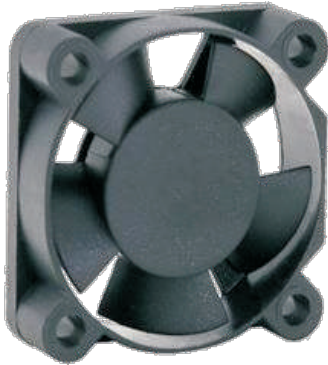
Note:

- ①- Reference standard: CCC GB12350-2009
- ②- Reference standard: UL
- ③- Reference standard: TUV

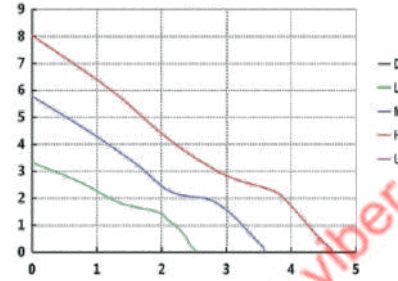
DC AXIAL FAN



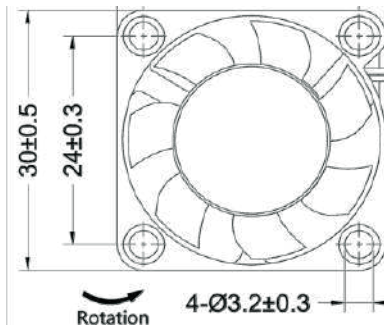
30x30x07mm DC FAN



• Reference material



• Characteristic Curves



• Dimensions Drawing



• Dimensions Drawing

MODEL	CURRENT(A)	VOLTAGE (VDC)	SPEED (RPM)	AIR FLOW (CFM)	Air Pressure (mmAq)	NOISE (dBA)
YTD053007**10000	0.20	5	10000	3.74	4.87	29.74
YTD053007**8000	0.16	5	8000	2.92	3.23	24.70
YTD053007**6000	0.12	5	6000	2.15	1.92	20.27
YTD123007**10000	0.12	12	10000	3.74	4.87	29.74
YTD123007**8000	0.10	12	8000	2.92	3.23	24.70
YTD123007**6000	0.08	12	6000	2.15	1.92	20.27

Remarks:

1-Electric Characteristics:

- 1):Standard 2-Pin;
 - 2):Frequency Generation 3-Pin or more.
- 2-Function :

- 1):Automatic Restart & Locked Current Protection;
- 2):Rotate Detection Automatic Restart & Locked Current Protection;
- 3):Pulse Width Modulation & Automatic Restart & Locked Current Protection (PWM).

The spec is for reference only, it's subject to change without any prior notice.

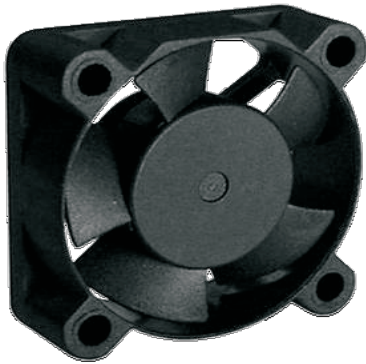
Note:

- ①- Reference standard: CCC GB12350-2009
- ②- Reference standard: UL
- ③- Reference standard: TUV

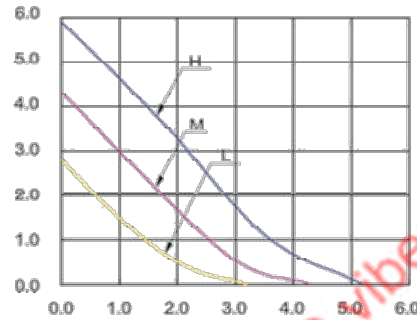
DC AXIAL FAN



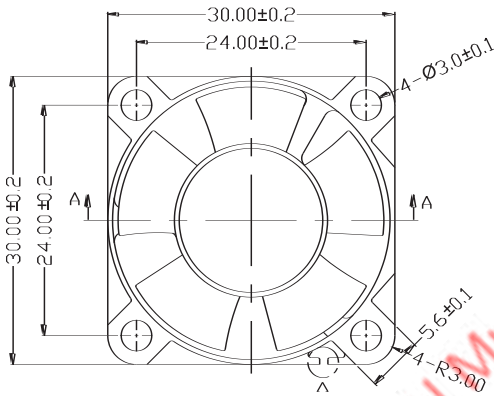
30x30x10mm DC FAN



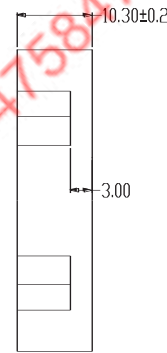
• Reference material



• Characteristic Curves



• Dimensions Drawing



• Dimensions Drawing

MODEL	CURRENT(A)	VOLTAGE (VDC)	SPEED (RPM)	AIR FLOW (CFM)	Air Pressure (mmAq)	NOISE (dBA)
YTD053010**A000	0.2A	5	10000	4.23	5.82	29
YTD053010**8000	0.17	5	8000	3.50	3.95	24
YTD053010**6000	0.13	5	6000	2.60	2.20	18
YTD123010**A000	0.09	12	10000	4.23	5.82	29
YTD123010**8000	0.07	12	8000	3.50	3.95	24
YTD123010**6000	0.05	12	6000	2.60	2.20	18

Remarks:

1-Electric Characteristics:

- 1):Standard 2-Pin;
 - 2):Frequency Generation 3-Pin or more.
- 2-Function :

- 1):Automatic Restart & Locked Current Protection;
- 2):Rotate Detection Automatic Restart & Locked Current Protection;
- 3):Pulse Width Modulation & Automatic Restart & Locked Current Protection (PWM).

The spec is for reference only, it's subject to change without any prior notice.

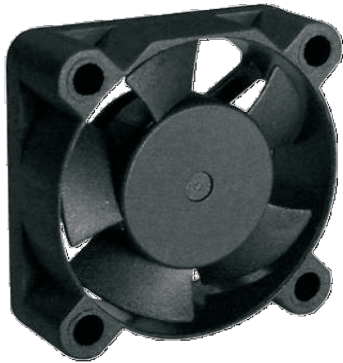
Note:

- ①- Reference standard: CCC GB12350-2009
- ②- Reference standard: UL
- ③- Reference standard: TUV

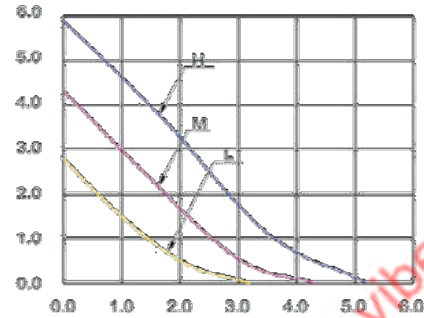
DC AXIAL FAN



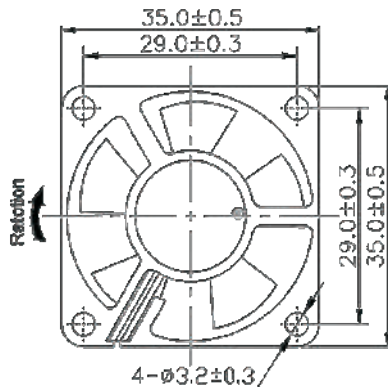
35x35x10mm DC FAN



• Reference material



• Characteristic Curves



• Dimensions Drawing



• Dimensions Drawing

MODEL	CURRENT(A)	VOLTAGE (VDC)	SPEED (RPM)	AIR FLOW (CFM)	Air Pressure (mmAq)	NOISE (dBA)
YTD053510**10000	0.23	5	10000	8.67	4.23	34.2
YTD053510**8000	0.22	5	8000	7.02	3.50	31.5
YTD053510**5000	0.13	5	5000	3.85	1.31	21.3
YTD123510**10000	0.14	12	10000	8.67	4.23	34.2
YTD123510**8000	0.11	12	8000	7.02	3.50	31.5
YTD123510**5000	0.08	12	5000	3.85	1.31	21.3

Remarks:

1-Electric Characteristics:

- 1): Standard 2-Pin;
 - 2): Frequency Generation 3-Pin or more.
- 2-Function :

- 1): Automatic Restart & Locked Current Protection;
- 2): Rotate Detection Automatic Restart & Locked Current Protection;
- 3): Pulse Width Modulation & Automatic Restart & Locked Current Protection (PWM).

The spec is for reference only, it's subject to change without any prior notice.

Note:

- ①- Reference standard: CCC GB12350-2009
- ②- Reference standard: UL
- ③- Reference standard: TUV

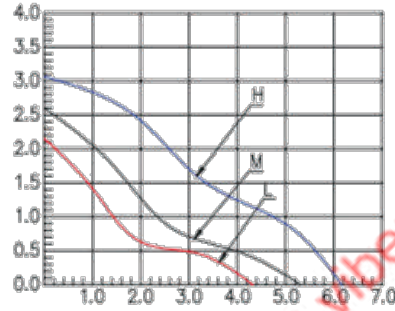
DC AXIAL FAN



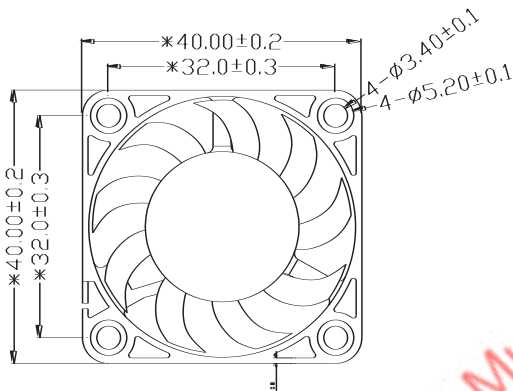
40x40x07mm DC FAN



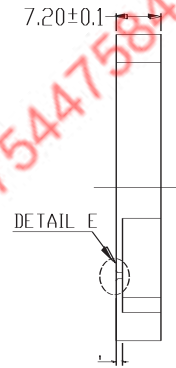
• Reference material



• Characteristic Curves



• Dimensions Drawing



• Dimensions Drawing

MODEL	CURRENT(A)	VOLTAGE (VDC)	SPEED (RPM)	AIR FLOW (CFM)	Air Pressure (mmAq)	NOISE (dBA)
YTD054007**7000	0.26	5	7000	6.07	3.03	31.59
YTD054007**6000	0.20	5	6000	5.20	2.60	27.08
YTD054007**5000	0.12	5	5000	4.34	2.17	22.57
YTD124007**7000	0.13	12	7000	6.07	3.03	31.59
YTD124007**6000	0.10	12	6000	5.20	2.60	27.08
YTD124007**5000	0.07	12	5000	4.34	2.17	22.57

Remarks:

1-Electric Characteristics:

- 1):Standard 2-Pin;
 - 2):Frequency Generation 3-Pin or more.
- 2-Function :

- 1):Automatic Restart & Locked Current Protection;
- 2):Rotate Detection Automatic Restart & Locked Current Protection;
- 3):Pulse Width Modulation & Automatic Restart & Locked Current Protection (PWM).

The spec is for reference only, it's subject to change without any prior notice.

Note:

- ①- Reference standard: CCC GB12350-2009
- ②- Reference standard: UL
- ③- Reference standard: TUV

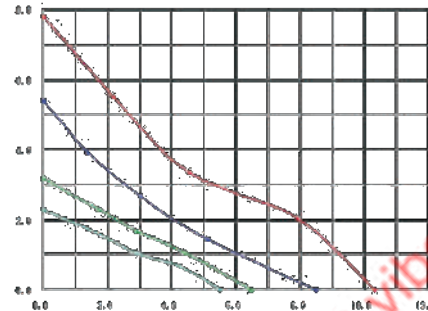
DC AXIAL FAN



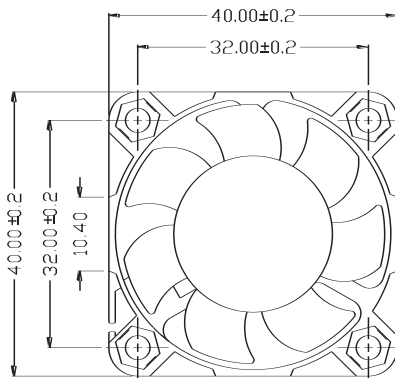
40x40x10mm DC FAN



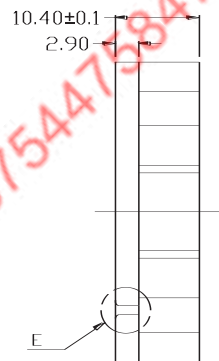
• Reference material



• Characteristic Curves



• Dimensions Drawing



• Dimensions Drawing

MODEL	CURRENT(A)	VOLTAGE (VDC)	SPEED (RPM)	AIR FLOW (CFM)	Air Pressure (mmAq)	NOISE (dBA)
YTD054010**9000	0.30	5	9000	8.03	6.75	36.80
YTD054010**6600	0.17	5	6600	5.80	3.66	28.30
YTD054010**4400	0.06	5	4400	3.87	1.73	19.00
YTD124010**9000	0.13	12	9000	8.03	6.75	36.80
YTD124010**6600	0.70	12	6600	5.80	3.66	28.30
YTD124010**4400	0.03	12	4400	3.87	1.73	19.00

Remarks:

1-Electric Characteristics:

- 1):Standard 2-Pin;
 - 2):Frequency Generation 3-Pin or more.
- 2-Function :

- 1):Automatic Restart & Locked Current Protection;
- 2):Rotate Detection Automatic Restart & Locked Current Protection;
- 3):Pulse Width Modulation (PWM) & Automatic Restart & Locked Current Protection (PWM).

The spec is for reference only, it's subject to change without any prior notice.

Note:

- ①- Reference standard: CCC GB12350-2009
- ②- Reference standard: UL
- ③- Reference standard: TUV

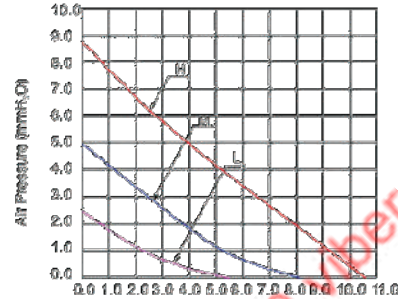
DC AXIAL FAN



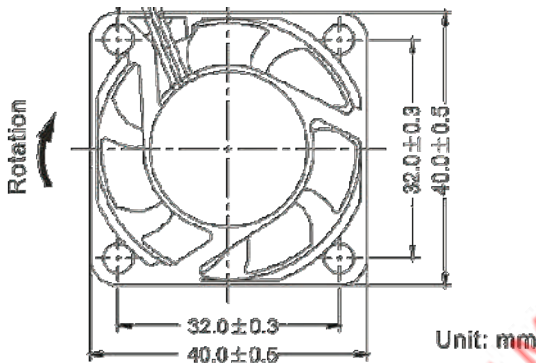
40x40x15mm DC FAN



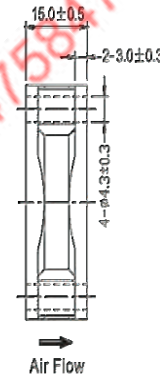
• Reference material



• Characteristic Curves



• Dimensions Drawing



• Dimensions Drawing

MODEL	CURRENT(A)	VOLTAGE (VDC)	SPEED (RPM)	AIR FLOW (CFM)	Air Pressure (mmAq)	NOISE (dBA)
YTD054015**7500	0.40	5	7500	9.64	6.85	33.52
YTD054015**6500	0.30	5	6500	8.12	5.04	30.24
YTD054015**4500	0.20	5	4500	5.53	2.53	21.71
YTD124015**7500	0.26	12	7500	9.64	6.85	33.52
YTD124015**6500	0.18	12	6500	8.12	5.04	30.24
YTD124015**4500	0.10	12	4500	5.53	2.53	21.71
YTD244015**7500	0.12	24	7500	9.64	6.85	33.52
YTD244015**6500	0.10	24	6500	8.12	5.04	30.24
YTD244015**4500	0.06	24	4500	5.53	2.53	21.71

Remarks:

1-Electric Characteristics:

- 1):Standard 2-Pin;
- 2):Frequency Generation 3-Pin or more.

2-Function :

- 1):Automatic Restart & Locked Current Protection;
- 2):Rotate Detection Automatic Restart & Locked Current Protection;
- 3):Pulse Width Modulation & Automatic Restart & Locked Current Protection (PWM).

The spec is for reference only, it's subject to change without any prior notice.

Note:

- ①- Reference standard: CCC GB12350-2009
- ②- Reference standard: UL
- ③- Reference standard: TUV

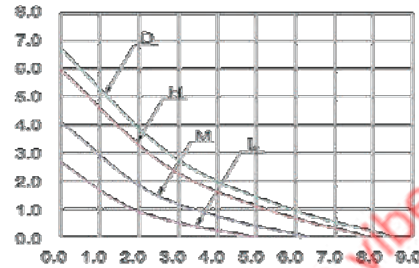
DC AXIAL FAN



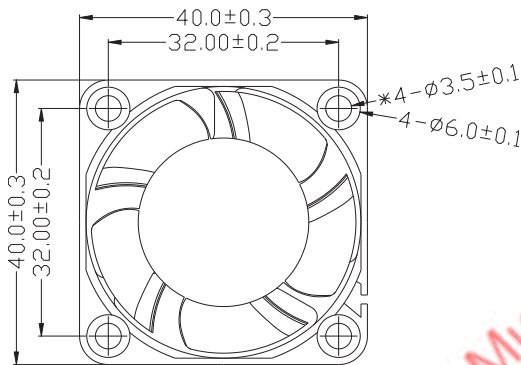
40x40x20mm DC FAN



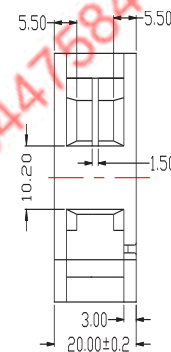
• Reference material



• Characteristic Curves



• Dimensions Drawing



• Dimensions Drawing

MODEL	CURRENT(A)	VOLTAGE (VDC)	SPEED (RPM)	AIR FLOW (CFM)	Air Pressure (mmAq)	NOISE (dBA)
YTD054020**7000	0.32	5	7000	8.20	5.80	32.00
YTD054020**5500	0.22	5	5500	6.60	3.90	27.00
YTD054020**4000	0.13	5	4000	4.90	2.40	21.00
YTD124020**7000	0.14	12	7000	8.20	5.80	32.00
YTD124020**6600	0.09	12	5500	6.60	3.90	27.00
YTD124020**4000	0.06	12	4000	4.90	2.40	21.00
YTD244020**7000	0.07	24	7000	8.20	5.80	32.00
YTD244020**6600	0.05	24	5500	6.60	3.90	27.00
YTD244020**4000	0.03	24	4000	4.90	2.40	21.00

Remarks:

1-Electric Characteristics:

- 1):Standard 2-Pin;
- 2):Frequency Generation 3-Pin or more.

2-Function :

- 1):Automatic Restart & Locked Current Protection;
- 2):Rotate Detection Automatic Restart & Locked Current Protection;
- 3):Pulse Width Modulation & Automatic Restart & Locked Current Protection (PWM).

The spec is for reference only, it's subject to change without any prior notice.

Note:

- ①- Reference standard: CCC GB12350-2009
- ②- Reference standard: UL
- ③- Reference standard: TUV

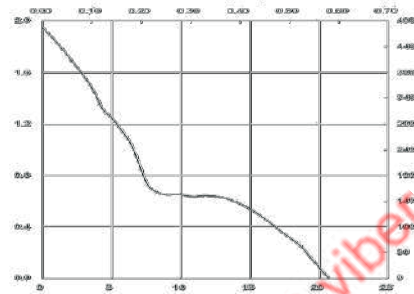
DC AXIAL FAN



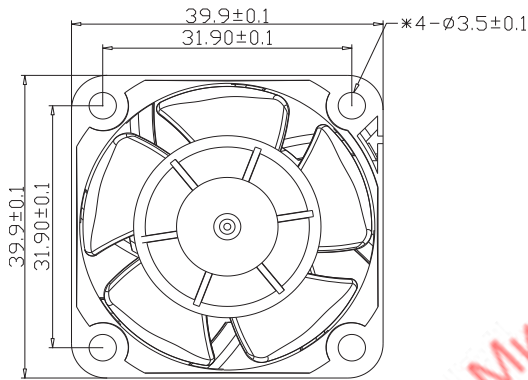
40x40x28mm DC FAN



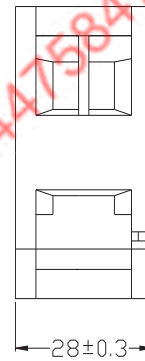
• Reference material



• Characteristic Curves



• Dimensions Drawing



• Dimensions Drawing

MODEL	CURRENT(A)	VOLTAGE (VDC)	SPEED (RPM)	AIR FLOW (CFM)	Air Pressure (mmAq)	NOISE (dBA)
YTD124028**A500	1.00	12	15000	24.80	32.80	61.10
YTD124028**A300	0.70	12	13000	20.10	22.70	55.50
YTD124028**A000	0.50	12	10000	16.20	14.60	49.20
YTD124028**7500	0.26	12	7500	12.50	8.80	39.20
YTD124028**5000	0.14	12	5000	8.32	3.90	32.50
YTD244028**A500	0.61	24	15000	24.80	32.80	61.10
YTD244028**A300	0.48	24	13000	20.10	22.70	55.50
YTD244028**A000	0.36	24	10000	16.20	14.60	49.20
YTD244028**7500	0.14	24	7500	12.50	8.80	39.20
YTD244028**5000	0.08	24	5000	8.32	3.90	32.50

Remarks:

1-Electric Characteristics:

1):Standard 2-Pin;

2):Frequency Generation 3-Pin or more.

2-Function :

1):Automatic Restart & Locked Current Protection;

2):Rotate Detection Automatic Restart & Locked Current Protection;

3):Pulse Width Modulation & Automatic Restart & Locked Current Protection (PWM).

The spec is for reference only, it's subject to change without any prior notice.

Note:

①- Reference standard: CCC GB12350-2009

②- Reference standard: UL

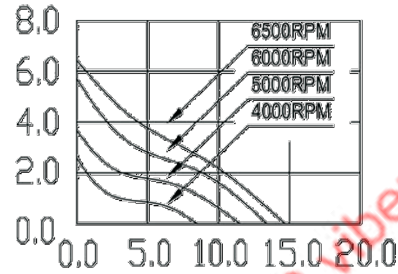
③- Reference standard: TUV

DC AXIAL FAN

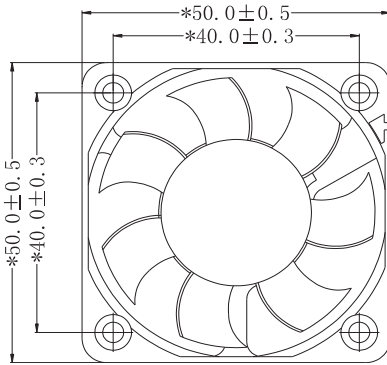
50x50x10mm DC FAN



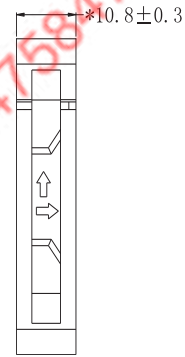
• Reference material



• Characteristic Curves



• Dimensions Drawing



• Dimensions Drawing

MODEL	CURRENT(A)	VOLTAGE (VDC)	SPEED (RPM)	AIR FLOW (CFM)	Air Pressure (mmAq)	NOISE (dBA)
YTD055010**6000	0.27	5	6000	12	4	33.2
YTD055010**5000	0.16	5	5000	10.2	2.8	30.1
YTD055010**4000	0.10	5	4000	8.13	1.8	25.9
YTD125010**6000	0.14	12	6000	12	4	33.2
YTD125010**5000	0.10	12	5000	10.2	2.8	30.1
YTD125010**4000	0.06	12	4000	8.13	1.8	25.9
YTD245010**8000	0.10	24	8000	15.74	7.1	40.1
YTD245010**7000	0.08	24	7000	13.8	5.4	36.7
YTD245010**6000	0.05	24	6000	12.02	4	33.2

Remarks:

1-Electric Characteristics:

- 1):Standard 2-Pin;
- 2):Frequency Generation 3-Pin or more.

2-Function :

- 1):Automatic Restart & Locked Current Protection;
- 2):Rotate Detection Automatic Restart & Locked Current Protection;
- 3):Pulse Width Modulation & Automatic Restart & Locked Current Protection (PWM).

The spec is for reference only, it's subject to change without any prior notice.

Note:

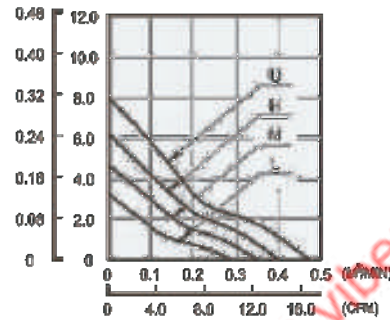
- ①- Reference standard: CCC GB12350-2009
- ②- Reference standard: UL
- ③- Reference standard: TUV

DC AXIAL FAN

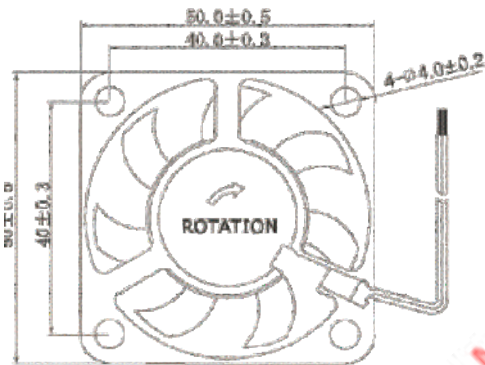
50x50x15mm DC FAN



• Reference material



• Characteristic Curves



• Dimensions Drawing



• Dimensions Drawing

MODEL	CURRENT(A)	VOLTAGE (VDC)	SPEED (RPM)	AIR FLOW (CFM)	Air Pressure (mmAq)	NOISE (dBA)
YTD055015**6000	0.30	5	6000	14.5	5.23	36.7
YTD055015**5000	0.24	5	5000	12.5	3.90	31.5
YTD055015**4000	0.16	5	4000	9.9	2.45	26.2
YTD125015**6000	0.13	12	6000	14.5	5.23	36.7
YTD125015**5000	0.12	12	5000	12.5	3.90	31.5
YTD125015**4000	0.10	12	4000	9.9	2.45	26.2
YTD245015**6000	0.06	24	6000	14.5	5.23	36.7
YTD245015**5000	0.05	24	5000	12.5	3.90	31.5

Remarks:

1-Electric Characteristics:

1):Standard 2-Pin;

2):Frequency Generation 3-Pin or more.

2-Function :

1):Automatic Restart & Locked Current Protection;

2):Rotate Detection Automatic Restart & Locked Current Protection;

3):Pulse Width Modulation & Automatic Restart & Locked Current Protection (PWM).

The spec is for reference only, it's subject to change without any prior notice.

Note:

①- Reference standard: CCC GB12350-2009

②- Reference standard: UL

③- Reference standard: TUV

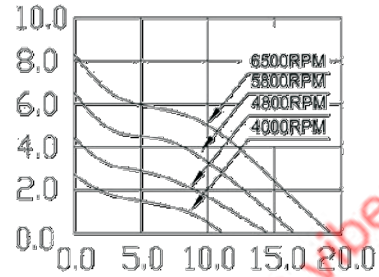
DC AXIAL FAN



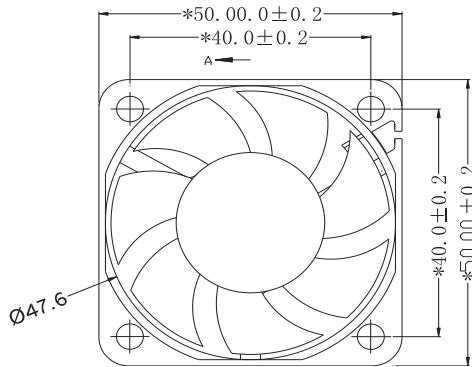
50x50x20mm DC FAN



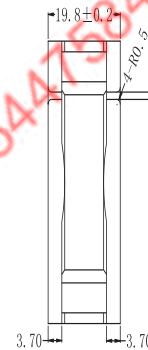
• Reference material



• Characteristic Curves



• Dimensions Drawing



• Dimensions Drawing

MODEL	CURRENT(A)	VOLTAGE (VDC)	SPEED (RPM)	AIR FLOW (CFM)	Air Pressure (mmAq)	NOISE (dBA)
YTD055020**6000	0.32	5	6000	21.71	6.55	35.08
YTD055020**4500	0.26	5	4500	14.99	4.03	28.80
YTD055020**3000	0.18	5	3000	9.99	2.28	21.72
YTD125020**6000	0.20	12	6000	21.71	6.55	35.08
YTD125020**4500	0.15	12	4500	14.99	4.03	28.80
YTD125020**3000	0.09	12	3000	9.99	2.28	21.72
YTD245020**6000	0.12	24	6000	21.71	6.55	35.08
YTD245020**4500	0.08	24	4500	14.99	4.03	28.80
YTD245020**3000	0.06	24	3000	9.99	2.28	21.72

Remarks:

1-Electric Characteristics:

- 1):Standard 2-Pin;
- 2):Frequency Generation 3-Pin or more.

2-Function :

- 1):Automatic Restart & Locked Current Protection;
- 2):Rotate Detection Automatic Restart & Locked Current Protection;
- 3):Pulse Width Modulation & Automatic Restart & Locked Current Protection (PWM).

The spec is for reference only, it's subject to change without any prior notice.

Note:

- ①- Reference standard: CCC GB12350-2009
- ②- Reference standard: UL
- ③- Reference standard: TUV

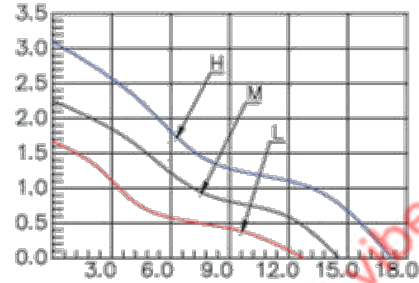
DC AXIAL FAN



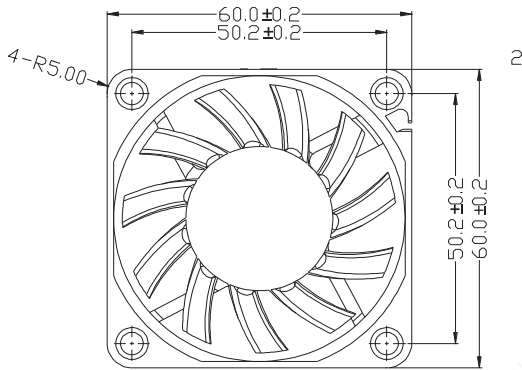
60x60x10mm DC FAN



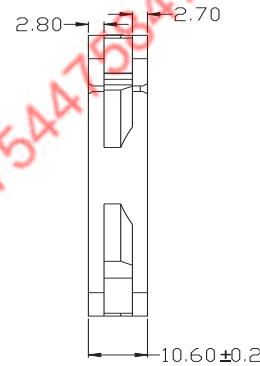
• Reference material



• Characteristic Curves



• Dimensions Drawing



• Dimensions Drawing

MODEL	CURRENT(A)	VOLTAGE (VDC)	SPEED (RPM)	AIR FLOW (CFM)	Air Pressure (mmAq)	NOISE (dBA)
YTD056010**5000	0.35	5	5000	21.45	3.89	36.08
YTD056010**4000	0.30	5	4000	16.90	2.59	30.49
YTD056010**3000	0.25	5	3000	12.30	1.43	23.54
YTD126010**5000	0.30	12	5000	21.45	3.89	36.08
YTD126010**4000	0.20	12	4000	16.90	2.59	30.49
YTD126010**3000	0.10	12	3000	12.30	1.43	23.54
YTD246010**5000	0.15	24	5000	21.45	3.89	36.08
YTD246010**4000	0.12	24	4000	16.90	2.59	30.49
YTD246010**3000	0.08	24	3000	12.30	1.43	23.54

Remarks:

1-Electric Characteristics:

1):Standard 2-Pin;

2):Frequency Generation 3-Pin or more.

2-Function :

1):Automatic Restart & Locked Current Protection;

2):Rotate Detection Automatic Restart & Locked Current Protection;

3):Pulse Width Modulation & Automatic Restart & Locked Current Protection (PWM).

The spec is for reference only, it's subject to change without any prior notice.

Note:

①- Reference standard: CCC GB12350-2009

②- Reference standard: UL

③- Reference standard: TUV

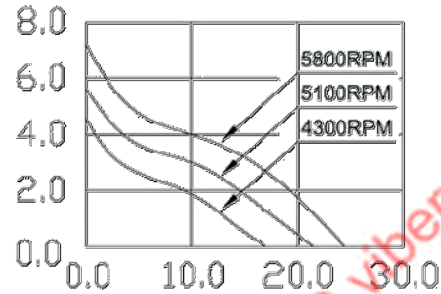
DC AXIAL FAN



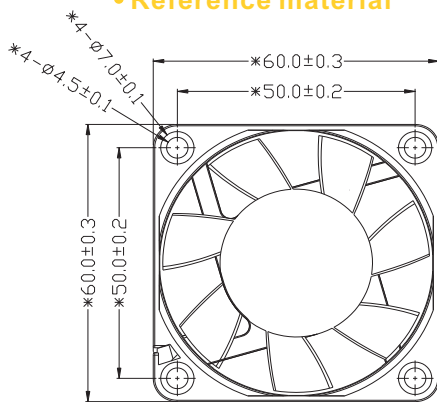
60x60x15mm DC FAN



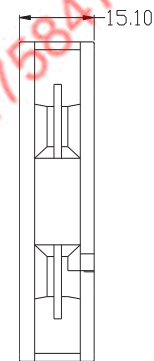
• Reference material



• Characteristic Curves



• Dimensions Drawing



• Dimensions Drawing

MODEL	CURRENT(A)	VOLTAGE (VDC)	SPEED (RPM)	AIR FLOW (CFM)	Air Pressure (mmAq)	NOISE (dBA)
YTD056015**5000	0.26	5	5000	24.79	3.67	37.96
YTD056015**4000	0.20	5	4000	19.83	2.35	34.63
YTD056015**3000	0.14	5	3000	14.67	1.27	28.54
YTD126015**5000	0.30	12	5000	24.79	3.67	37.96
YTD126015**4000	0.20	12	4000	19.83	2.35	34.63
YTD126015**3000	0.10	12	3000	14.67	1.27	28.54
YTD246015**5000	0.15	24	5000	24.79	3.67	37.96
YTD246015**4000	0.12	24	4000	19.83	2.35	34.63
YTD246015**3000	0.08	24	3000	14.67	1.27	28.54

Remarks:

1-Electric Characteristics:

- 1): Standard 2-Pin;
- 2): Frequency Generation 3-Pin or more.

2-Function :

- 1): Automatic Restart & Locked Current Protection;
- 2): Rotate Detection Automatic Restart & Locked Current Protection;
- 3): Pulse Width Modulation & Automatic Restart & Locked Current Protection (PWM).

The spec is for reference only, it's subject to change without any prior notice.

Note:

- ①- Reference standard: CCC GB12350-2009
- ②- Reference standard: UL
- ③- Reference standard: TUV

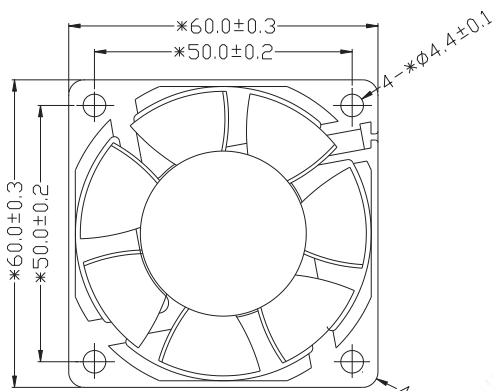
DC AXIAL FAN



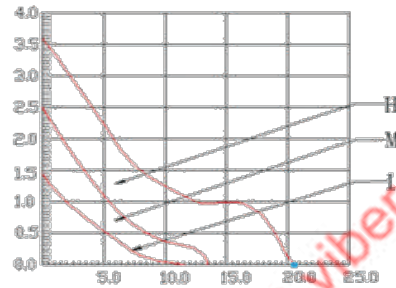
60x60x20mm DC FAN



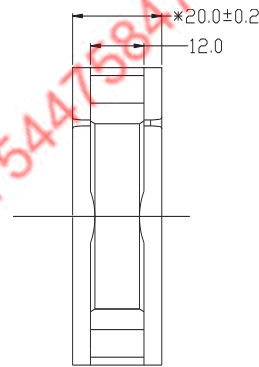
• Reference material



• Dimensions Drawing



• Characteristic Curves



• Dimensions Drawing

MODEL	CURRENT(A)	VOLTAGE (VDC)	SPEED (RPM)	AIR FLOW (CFM)	Air Pressure (mmAq)	NOISE (dBA)
YTD126020**5600	0.31	12	5600	24.3	8.53	39.2
YTD126020**4800	0.22	12	4800	20.8	6.3	35.14
YTD126020**4000	0.16	12	4000	17.3	4.4	30.4
YTD126020**3200	0.11	12	3200	13.8	2.8	24.5
YTD246020**6400	0.22	24	6400	27.6	11	42.5
YTD246020**5600	0.18	24	5600	24.3	8.53	39.2
YTD246020**4800	0.14	24	4800	20.8	6.3	35.14
YTD246020**4000	0.10	24	4000	17.3	4.4	30.4
YTD246020**3200	0.07	24	3200	13.8	2.8	24.5

Remarks:

1-Electric Characteristics:

1):Standard 2-Pin;

2):Frequency Generation 3-Pin or more.

2-Function :

1):Automatic Restart & Locked Current Protection;

2):Rotate Detection Automatic Restart & Locked Current Protection;

3):Pulse Width Modulation & Automatic Restart & Locked Current Protection (PWM).

The spec is for reference only, it's subject to change without any prior notice.

Note:

①- Reference standard: CCC GB12350-2009

②- Reference standard: UL

③- Reference standard: TUV

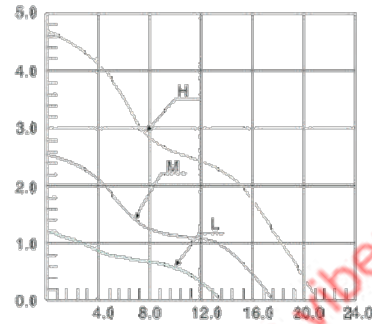
DC AXIAL FAN



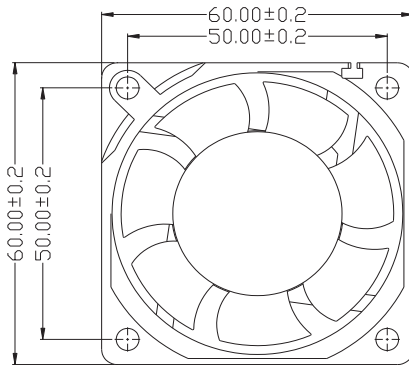
60x60x25mm DC FAN



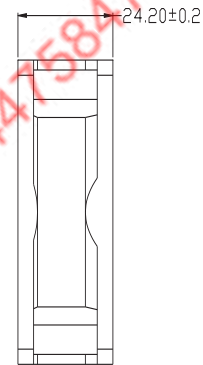
• Reference material



• Characteristic Curves



• Dimensions Drawing



• Dimensions Drawing

MODEL	CURRENT(A)	VOLTAGE (VDC)	SPEED (RPM)	AIR FLOW (CFM)	Air Pressure (mmAq)	NOISE (dBA)
YTD126025**6500	0.42	12	6500	28.2	11.5	42.1
YTD126025**5500	0.25	12	5500	23.8	8.1	37.8
YTD126025**4500	0.16	12	4500	19.3	5.4	32.6
YTD126025**3500	0.10	12	3500	15.1	3.3	26.5
YTD246025**6500	0.18	24	6500	28.2	11.5	42.1
YTD246025**5500	0.12	24	5500	23.8	8.1	37.8
YTD246025**4500	0.09	24	4500	19.3	5.4	32.6
YTD246025**3500	0.06	24	3500	15.1	3.3	26.5

Remarks:

1-Electric Characteristics:

1):Standard 2-Pin;

2):Frequency Generation 3-Pin or more.

2-Function :

1):Automatic Restart & Locked Current Protection;

2):Rotate Detection Automatic Restart & Locked Current Protection;

3):Pulse Width Modulation & Automatic Restart & Locked Current Protection (PWM).

The spec is for reference only, it's subject to change without any prior notice.

Note:

①- Reference standard: CCC GB12350-2009

②- Reference standard: UL

③- Reference standard: TUV

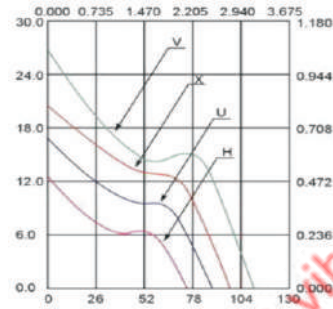
DC AXIAL FAN



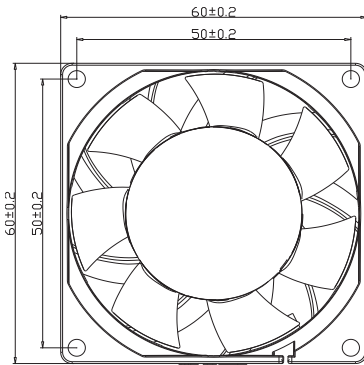
60x60x38mm DC FAN



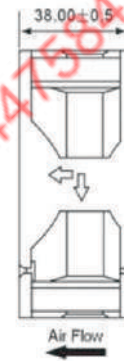
• Reference material



• Characteristic Curves



• Dimensions Drawing



• Dimensions Drawing

MODEL	CURRENT(A)	VOLTAGE (VDC)	SPEED (RPM)	AIR FLOW (CFM)	Air Pressure (mmAq)	NOISE (dBA)
YTD126038**8000	1	12	8000	50.15	24.49	55.32
YTD126038**7000	0.75	12	7000	43.44	19.44	51.28
YTD126038**6000	0.52	12	6000	36.73	13.13	47.63
YTD246038**8000	0.5	24	8000	50.15	24.49	55.32
YTD246038**7000	0.39	24	7000	43.44	19.44	51.28
YTD246038**6000	0.25	24	6000	36.73	13.13	47.63
YTD486038**8000	0.26	48	8000	50.15	24.49	55.32
YTD486038**7000	0.19	48	7000	43.44	19.44	51.28
YTD486038**6000	0.12	48	6000	36.73	13.13	47.63

Remarks:

1-Electric Characteristics:

1):Standard 2-Pin;

2):Frequency Generation 3-Pin or more.

2-Function :

1):Automatic Restart & Locked Current Protection;

2):Rotate Detection Automatic Restart & Locked Current Protection;

3):Pulse Width Modulation & Automatic Restart & Locked Current Protection (PWM).

The spec is for reference only, it's subject to change without any prior notice.

Note:

①- Reference standard: CCC GB12350-2009

②- Reference standard: UL

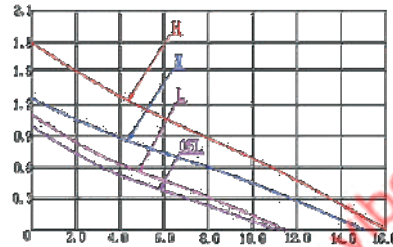
③- Reference standard: TUV

DC AXIAL FAN

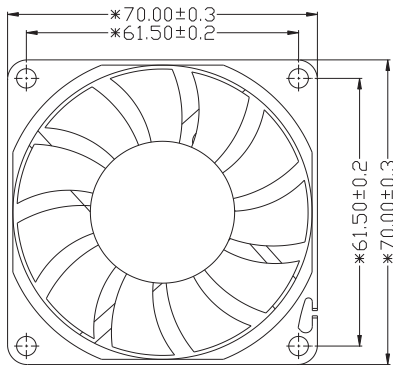
70x70x10mm DC FAN



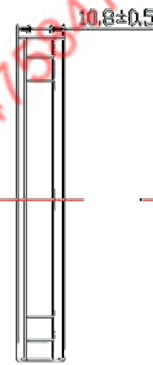
• Reference material



• Characteristic Curves



• Dimensions Drawing



• Dimensions Drawing

MODEL	CURRENT(A)	VOLTAGE (VDC)	SPEED (RPM)	AIR FLOW (CFM)	Air Pressure (mmAq)	NOISE (dBA)
YTD057010**5000	0.40	5	5000	34.20	5.06	37.56
YTD057010**4000	0.30	5	4000	27.36	3.24	31.82
YTD057010**3000	0.20	5	3000	20.52	1.82	26.95
YTD127010**5000	0.21	12	5000	34.20	5.06	37.56
YTD127010**4000	0.14	12	4000	27.36	3.24	31.82
YTD127010**3000	0.10	12	3000	20.52	1.82	26.95
YTD247010**5000	0.13	24	5000	34.20	5.06	37.56
YTD247010**4000	0.11	24	4000	27.36	3.24	31.82
YTD247010**3000	0.08	24	3000	20.52	1.82	26.95

Remarks:

1-Electric Characteristics:

1):Standard 2-Pin;

2):Frequency Generation 3-Pin or more.

2-Function :

1):Automatic Restart & Locked Current Protection;

2):Rotate Detection Automatic Restart & Locked Current Protection;

3):Pulse Width Modulation & Automatic Restart & Locked Current Protection (PWM).

The spec is for reference only, it's subject to change without any prior notice.

Note:

①- Reference standard: CCC GB12350-2009

②- Reference standard: UL

③- Reference standard: TUV

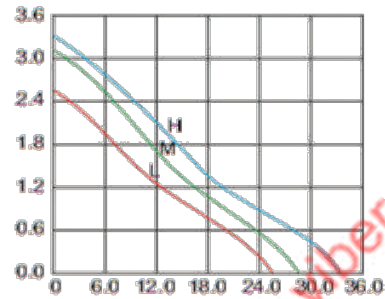
DC AXIAL FAN



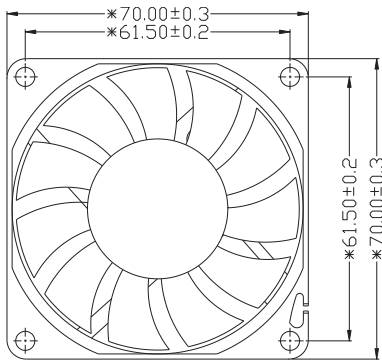
70x70x15mm DC FAN



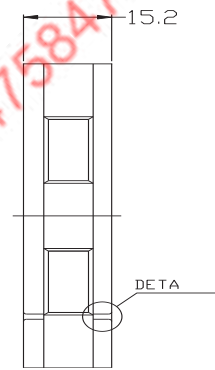
• Reference material



• Characteristic Curves



• Dimensions Drawing



• Dimensions Drawing

MODEL	CURRENT(A)	VOLTAGE (VDC)	SPEED (RPM)	AIR FLOW (CFM)	Air Pressure (mmAq)	NOISE (dBA)
YTD057015**5000	0.45	5	5000	40.79	6.72	39.41
YTD057015**4000	0.30	5	4000	32.63	4.30	33.08
YTD057015**3000	0.20	5	3000	25.32	2.69	28.20
YTD127015**5000	0.28	12	5000	40.79	6.72	39.41
YTD127015**4000	0.17	12	4000	32.63	4.30	33.08
YTD127015**3000	0.11	12	3000	25.32	2.69	28.20
YTD247015**5000	0.14	24	5000	40.79	6.72	39.41
YTD247015**4000	0.11	24	4000	32.63	4.30	33.08
YTD247015**3000	0.08	24	3000	25.32	2.69	28.20

Remarks:

1-Electric Characteristics:

1):Standard 2-Pin;

2):Frequency Generation 3-Pin or more.

2-Function :

1):Automatic Restart & Locked Current Protection;

2):Rotate Detection Automatic Restart & Locked Current Protection;

3):Pulse Width Modulation & Automatic Restart & Locked Current Protection (PWM).

The spec is for reference only, it's subject to change without any prior notice.

Note:

①- Reference standard: CCC GB12350-2009

②- Reference standard: UL

③- Reference standard: TUV

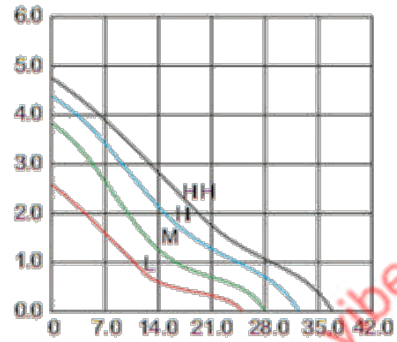
DC AXIAL FAN



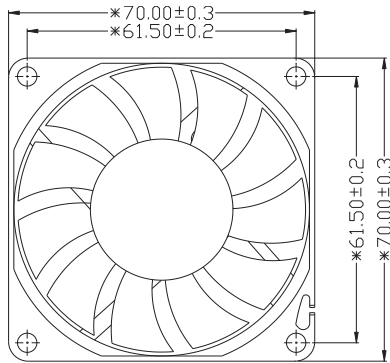
70x70x20mm DC FAN



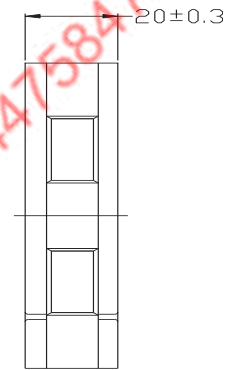
• Reference material



• Characteristic Curves



• Dimensions Drawing



• Dimensions Drawing

MODEL	CURRENT(A)	VOLTAGE (VDC)	SPEED (RPM)	AIR FLOW (CFM)	Air Pressure (mmAq)	NOISE (dBA)
YTD127020**5000	0.48	12	5000	43.25	7.04	41.15
YTD127020**4000	0.24	12	4000	34.21	4.38	35.76
YTD127020**3000	0.15	12	3000	25.42	2.68	26.85
YTD247020**5000	0.25	24	5000	43.25	7.04	41.15
YTD247020**4000	0.15	24	4000	34.21	4.38	35.76
YTD247020**3000	0.10	24	3000	25.42	2.68	26.85

Remarks:

1-Electric Characteristics:

1):Standard 2-Pin;

2):Frequency Generation 3-Pin or more.

2-Function :

1):Automatic Restart & Locked Current Protection;

2):Rotate Detection Automatic Restart & Locked Current Protection;

3):Pulse Width Modulation & Automatic Restart & Locked Current Protection (PWM).

The spec is for reference only, it's subject to change without any prior notice.

Note:

①- Reference standard: CCC GB12350-2009

②- Reference standard: UL

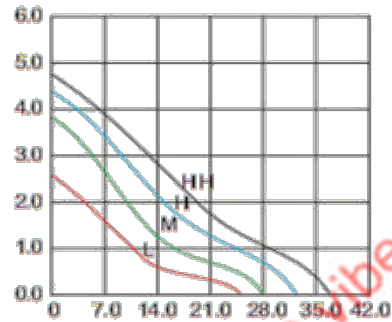
③- Reference standard: TUV

DC AXIAL FAN

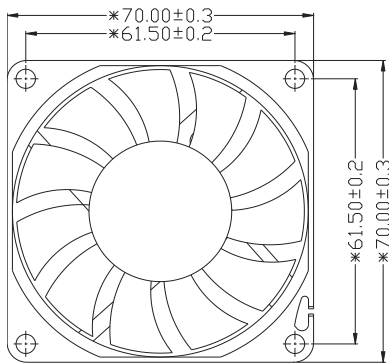
70x70x25mm DC FAN



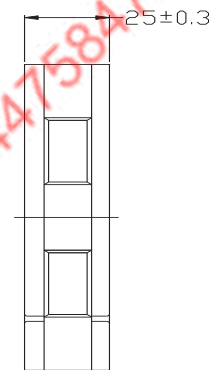
• Reference material



• Characteristic Curves



• Dimensions Drawing



• Dimensions Drawing

MODEL	CURRENT(A)	VOLTAGE (VDC)	SPEED (RPM)	AIR FLOW (CFM)	Air Pressure (mmAq)	NOISE (dBA)
YTD127025**4000	0.26	12	4000	32.6	5.20	38.2
YTD127025**3600	0.20	12	3600	29.3	4.20	35.4
YTD127025**3000	0.18	12	3000	24.3	2.95	30.7
YTD127025**2400	0.12	12	2400	19.5	1.90	24.8
YTD247025**4000	0.10	24	4000	32.6	5.20	38.2
YTD247025**3600	0.09	24	3600	29.3	4.20	35.4
YTD247025**3000	0.06	24	3000	24.3	2.95	30.7
YTD247025**2400	0.05	24	2400	19.5	1.90	24.8

Remarks:

1-Electric Characteristics:

1):Standard 2-Pin;

2):Frequency Generation 3-Pin or more.

2-Function :

1):Automatic Restart & Locked Current Protection;

2):Rotate Detection Automatic Restart & Locked Current Protection;

3):Pulse Width Modulation & Automatic Restart & Locked Current Protection (PWM).

The spec is for reference only, it's subject to change without any prior notice.

Note:

①- Reference standard: CCC GB12350-2009

②- Reference standard: UL

③- Reference standard: TUV

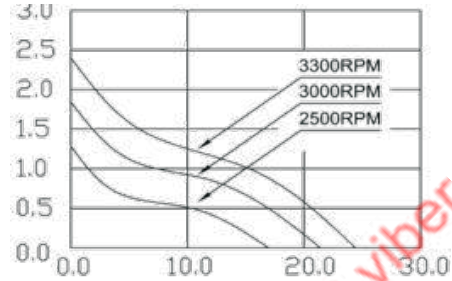
DC AXIAL FAN



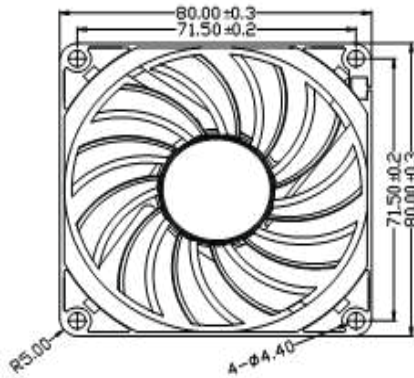
80x80x10mm DC FAN



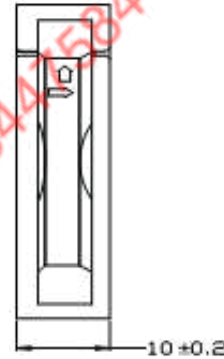
• Reference material



• Characteristic Curves



• Dimensions Drawing



• Dimensions Drawing

MODEL	CURRENT(A)	VOLTAGE (VDC)	SPEED (RPM)	AIR FLOW (CFM)	Air Pressure (mmAq)	NOISE (dBA)
YTD058010**3000	0.35	5	3000	23.45	1.81	30.75
YTD058010**2500	0.25	5	2500	19.68	1.31	26.25
YTD058010**2000	0.17	5	2000	15.58	0.90	22.08
YTD128010**3000	0.24	12	3000	23.45	1.81	30.75
YTD128010**2500	0.18	12	2500	19.68	1.31	26.25
YTD128010**2000	0.12	12	2000	15.58	0.90	22.08
YTD248010**3000	0.15	24	3000	23.45	1.81	30.75
YTD248010**2500	0.12	24	2500	19.68	1.31	26.25
YTD248010**2000	0.08	24	2000	15.58	0.90	22.08

Remarks:

1-Electric Characteristics:

1):Standard 2-Pin;

2):Frequency Generation 3-Pin or more.

2-Function :

1):Automatic Restart & Locked Current Protection;

2):Rotate Detection Automatic Restart & Locked Current Protection;

3):Pulse Width Modulation & Automatic Restart & Locked Current Protection (PWM).

The spec is for reference only, it's subject to change without any prior notice.

Note:

①- Reference standard: CCC GB12350-2009

②- Reference standard: UL

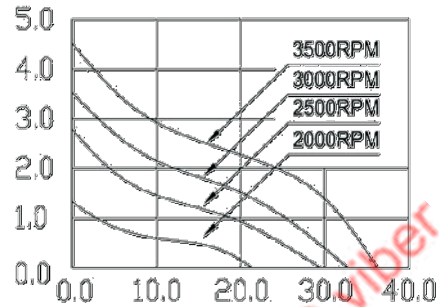
③- Reference standard: TUV

DC AXIAL FAN

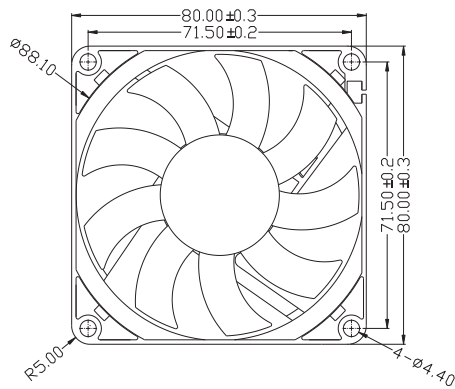
80x80x15mm DC FAN



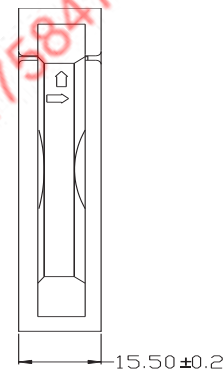
• Reference material



• Characteristic Curves



• Dimensions Drawing



• Dimensions Drawing

MODEL	CURRENT(A)	VOLTAGE (VDC)	SPEED (RPM)	AIR FLOW (CFM)	Air Pressure (mmAq)	NOISE (dBA)
YTD058015**3200	0.63	5	3200	32.30	3.20	34.30
YTD058015**2800	0.58	5	2800	28.44	2.40	31.00
YTD058015**2400	0.34	5	2400	24.50	1.80	27.23
YTD128015**3200	0.20	12	3200	32.30	3.20	34.40
YTD128015**2800	0.18	12	2800	28.44	2.40	31.00
YTD128015**2400	0.13	12	2400	24.50	1.84	27.23
YTD248015**3200	0.13	24	3200	32.30	3.20	34.40
YTD248015**2800	0.11	24	2800	28.44	2.40	31.00
YTD248015**2400	0.08	24	2400	24.50	1.84	27.23

Remarks:

1-Electric Characteristics:

1):Standard 2-Pin;

2):Frequency Generation 3-Pin or more.

2-Function :

1):Automatic Restart & Locked Current Protection;

2):Rotate Detection Automatic Restart & Locked Current Protection;

3):Pulse Width Modulation & Automatic Restart & Locked Current Protection (PWM).

The spec is for reference only, it's subject to change without any prior notice.

Note:

①- Reference standard: CCC GB12350-2009

②- Reference standard: UL

③- Reference standard: TUV

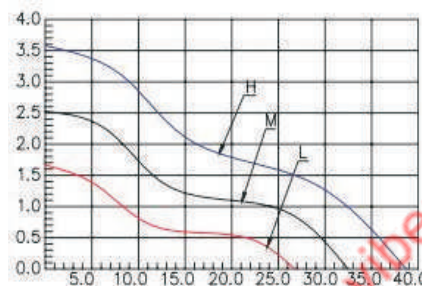
DC AXIAL FAN



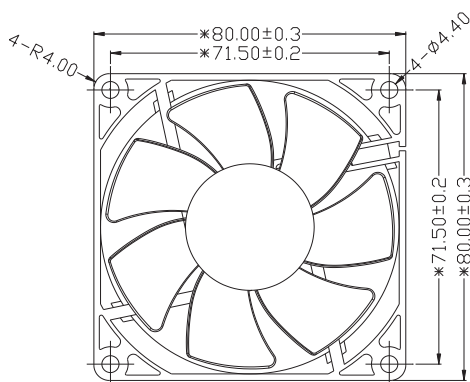
80x80x25mm DC FAN



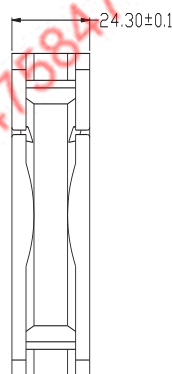
• Reference material



• Characteristic Curves



• Dimensions Drawing



• Dimensions Drawing

MODEL	CURRENT(A)	VOLTAGE (VDC)	SPEED (RPM)	AIR FLOW (CFM)	Air Pressure (mmAq)	NOISE (dBA)
YTD058025**3600	0.92	5	3600	43.9	4.90	37.9
YTD058025**3000	0.54	5	3000	36.3	3.50	32.1
YTD058025**2600	0.47	5	2600	31.5	2.60	28.6
YTD128025**3600	0.37	12	3600	43.9	4.94	37.9
YTD128025**3000	0.26	12	3000	36.3	3.50	32.1
YTD128025**2600	0.19	12	2600	31.6	2.60	28.6
YTD248025**3600	0.25	24	3600	43.9	4.94	37.9
YTD248025**3000	0.16	24	3000	36.3	3.50	32.1
YTD248025**2600	0.12	24	2600	31.6	2.60	28.6

Remarks:

1-Electric Characteristics:

- 1):Standard 2-Pin;
- 2):Frequency Generation 3-Pin or more.

2-Function :

- 1):Automatic Restart & Locked Current Protection;
- 2):Rotate Detection Automatic Restart & Locked Current Protection;
- 3):Pulse Width Modulation & Automatic Restart & Locked Current Protection (PWM).

The spec is for reference only, it's subject to change without any prior notice.

Note:

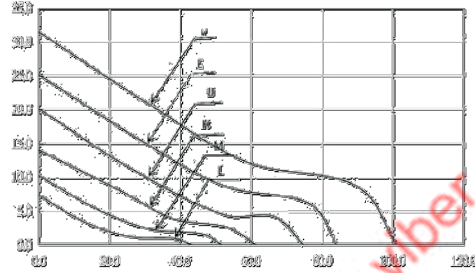
- ①- Reference standard: CCC GB12350-2009
- ②- Reference standard: UL
- ③- Reference standard: TUV

DC AXIAL FAN

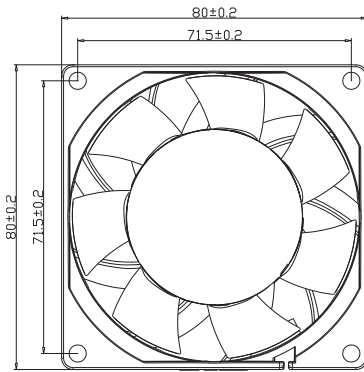
80x80x38mm DC FAN



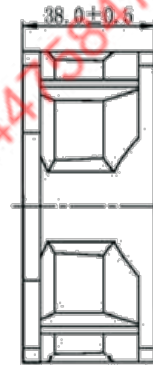
• Reference material



• Characteristic Curves



• Dimensions Drawing



• Dimensions Drawing

MODEL	CURRENT(A)	VOLTAGE (VDC)	SPEED (RPM)	AIR FLOW (CFM)	Air Pressure (mmAq)	NOISE (dBA)
YTD128038**8000	2.15	12	8500	104.10	33.3	60.6
YTD128038**7000	1.00	12	7000	90.90	25.9	57.1
YTD128038**5500	0.72	12	5500	71.70	15.9	50.8
YTD248038**8500	1.20	24	8500	110.64	37.6	62.2
YTD248038**7000	0.65	24	7000	90.90	25.9	57.1
YTD248038**5500	0.34	24	5500	71.70	15.9	50.8
YTD488038**8500	0.53	48	8500	110.64	37.6	62.2
YTD488038**7000	0.33	48	7000	90.90	25.9	57.1
YTD488038**5500	0.20	48	5500	71.70	15.9	50.8

Remarks:

1-Electric Characteristics:

1):Standard 2-Pin;

2):Frequency Generation 3-Pin or more.

2-Function :

1):Automatic Restart & Locked Current Protection;

2):Rotate Detection Automatic Restart & Locked Current Protection;

3):Pulse Width Modulation & Automatic Restart & Locked Current Protection (PWM).

The spec is for reference only, it's subject to change without any prior notice.

Note:

①- Reference standard: CCC GB12350-2009

②- Reference standard: UL

③- Reference standard: TUV

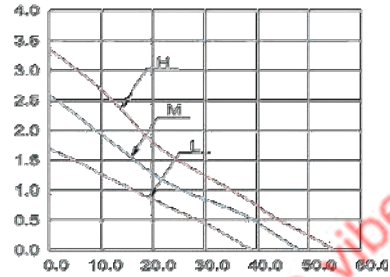
DC AXIAL FAN



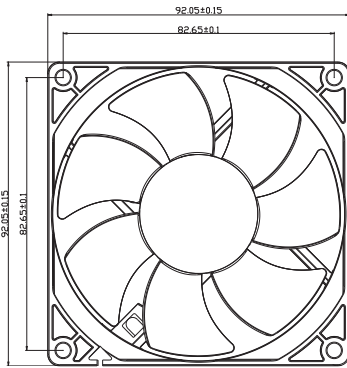
92x92x25mm DC FAN



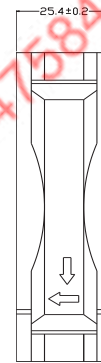
• Reference material



• Characteristic Curves



• Dimensions Drawing



• Dimensions Drawing

MODEL	CURRENT(A)	VOLTAGE (VDC)	SPEED (RPM)	AIR FLOW (CFM)	Air Pressure (mmAq)	NOISE (dBA)
YTD129225**3600	0.35	12	3600	64.90	6.0	41.2
YTD129225**3000	0.23	12	3000	55.20	4.5	35.7
YTD129225**2200	0.14	12	2200	40.44	2.4	27.6
YTD249225**3600	0.22	24	3600	64.80	6.0	41.2
YTD249225**3000	0.15	24	3000	55.20	4.5	35.7
YTD249225**2200	0.06	24	2200	40.44	2.4	27.6
YTD489225**3600	0.08	48	3600	64.80	6.0	41.2
YTD489225**3000	0.06	48	3000	55.20	4.5	35.7
YTD489225**2200	0.04	48	2200	40.44	2.4	27.6

Remarks:

1-Electric Characteristics:

1):Standard 2-Pin;

2):Frequency Generation 3-Pin or more.

2-Function :

1):Automatic Restart & Locked Current Protection;

2):Rotate Detection Automatic Restart & Locked Current Protection;

3):Pulse Width Modulation & Automatic Restart & Locked Current Protection (PWM).

The spec is for reference only, it's subject to change without any prior notice.

Note:

①- Reference standard: CCC GB12350-2009

②- Reference standard: UL

③- Reference standard: TUV

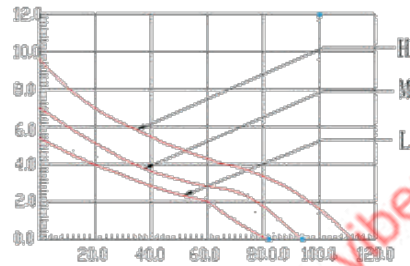
DC AXIAL FAN



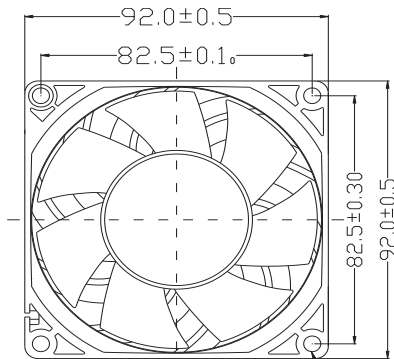
92x92x32mm DC FAN



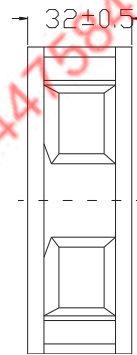
• Reference material



• Characteristic Curves



• Dimensions Drawing



• Dimensions Drawing

MODEL	CURRENT(A)	VOLTAGE (VDC)	SPEED (RPM)	AIR FLOW (CFM)	Air Pressure (mmAq)	NOISE (dBA)
YTD129232**4200	1.040	12	4200	86.1	11.6	44.9
YTD129232**3250	0.494	12	3250	66.5	7.20	38.2
YTD129232**2500	0.234	12	2500	50.5	4.0	31.5
YTD249232**4200	0.520	24	4200	86.1	11.6	44.9
YTD249232**3300	0.260	24	3300	66.5	7.2	38.2
YTD249232**2500	0.143	24	2500	50.5	4.0	31.5
YTD489232**4200	0.210	48	4200	86.1	11.6	44.9
YTD489232**3300	0.104	48	3300	66.5	7.2	38.2
YTD489232**2500	0.052	48	2500	50.5	4.0	31.5

Remarks:

1-Electric Characteristics:

1):Standard 2-Pin;

2):Frequency Generation 3-Pin or more.

2-Function :

1):Automatic Restart & Locked Current Protection;

2):Rotate Detection Automatic Restart & Locked Current Protection;

3):Pulse Width Modulation & Automatic Restart & Locked Current Protection (PWM).

The spec is for reference only, it's subject to change without any prior notice.

Note:

①- Reference standard: CCC GB12350-2009

②- Reference standard: UL

③- Reference standard: TUV

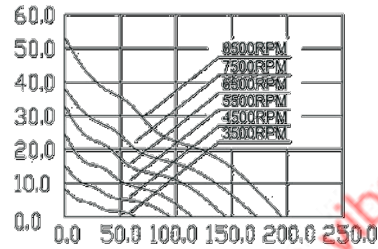
DC AXIAL FAN



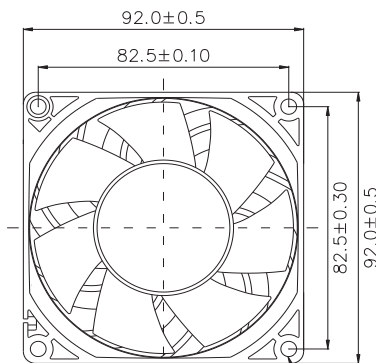
92x92x38mm DC FAN



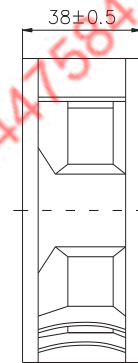
• Reference material



• Characteristic Curves



• Dimensions Drawing



• Dimensions Drawing

MODEL	CURRENT(A)	VOLTAGE (VDC)	SPEED (RPM)	AIR FLOW (CFM)	Air Pressure (mmAq)	NOISE (dBA)
YTD129238**6500	1.85	12	6500	132.9	22.9	59.1
YTD129238**5000	0.82	12	5000	102.3	15.5	52.2
YTD129238**3500	0.33	12	3500	71.6	6.6	43
YTD249238**6500	0.81	24	6500	132.9	22.9	59.1
YTD249238**5000	0.43	24	5000	102.3	15.5	52.2
YTD249238**3500	0.17	24	3500	71.6	6.6	43
YTD489238**6500	0.39	48	6500	132.9	22.9	59.1
YTD489238**5000	0.20	48	5000	102.3	15.5	52.2
YTD489238**3500	0.10	48	3500	71.6	6.6	43

Remarks:

1-Electric Characteristics:

1):Standard 2-Pin;

2):Frequency Generation 3-Pin or more.

2-Function :

1):Automatic Restart & Locked Current Protection;

2):Rotate Detection Automatic Restart & Locked Current Protection;

3):Pulse Width Modulation & Automatic Restart & Locked Current Protection (PWM).

The spec is for reference only, it's subject to change without any prior notice.

Note:

①- Reference standard: CCC GB12350-2009

②- Reference standard: UL

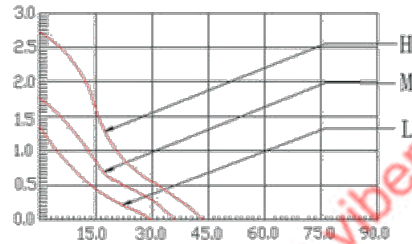
③- Reference standard: TUV

DC AXIAL FAN

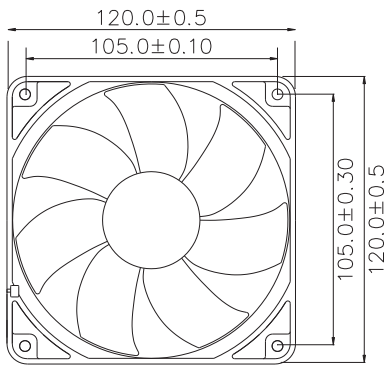
120x120x25mm DC FAN



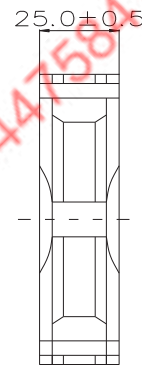
• Reference material



• Characteristic Curves



• Dimensions Drawing



• Dimensions Drawing

MODEL	CURRENT(A)	VOLTAGE (VDC)	SPEED (RPM)	AIR FLOW (CFM)	Air Pressure (mmAq)	NOISE (dBA)
YTD1212025**5500	1.77	12	5500	169.1	22.3	57.0
YTD1212025**4200	0.83	12	4200	129.4	13.6	51.0
YTD1212025**2600	0.25	12	2600	78.2	5.3	37.2
YTD2412025**5500	0.85	24	5500	169.1	22.3	57.0
YTD2412025**4200	0.43	24	4200	129.4	13.6	51.0
YTD2412025**2600	0.12	24	2600	78.2	5.3	37.2
YTD4812025**5500	0.53	48	5500	169.1	22.3	57.0
YTD4812025**4200	0.28	48	4200	129.4	13.6	51.0
YTD4812025**2600	0.08	48	2600	78.2	5.3	37.2

Remarks:

1-Electric Characteristics:

1):Standard 2-Pin;

2):Frequency Generation 3-Pin or more.

2-Function :

1):Automatic Restart & Locked Current Protection;

2):Rotate Detection Automatic Restart & Locked Current Protection;

3):Pulse Width Modulation & Automatic Restart & Locked Current Protection (PWM).

The spec is for reference only, it's subject to change without any prior notice.

Note:

①- Reference standard: CCC GB12350-2009

②- Reference standard: UL

③- Reference standard: TUV

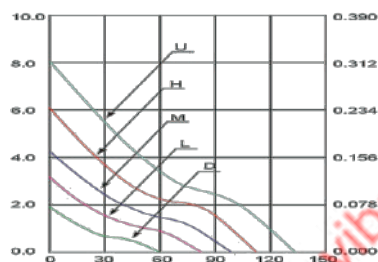
DC AXIAL FAN



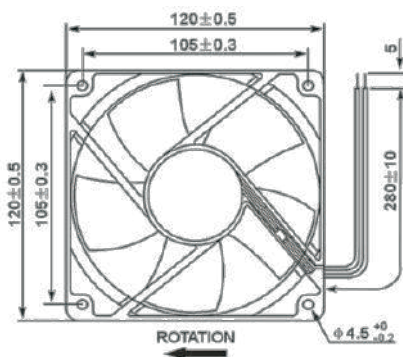
120x120x32mm DC FAN



• Reference material



• Characteristic Curves



• Dimensions Drawing



• Dimensions Drawing

MODEL	CURRENT(A)	VOLTAGE (VDC)	SPEED (RPM)	AIR FLOW (CFM)	Air Pressure (mmAq)	NOISE (dBA)
YTD1212032**5200	1.40	12	5200	163.0	25.0	57.6
YTD1212032**3700	0.77	12	3700	117.2	13.0	46.7
YTD1212032**2600	0.26	12	2600	81.0	6.3	37.5
YTD2412032**5200	0.68	24	5200	163.0	25.0	57.6
YTD2412032**3700	0.39	24	3700	117.2	13.0	46.7
YTD2412032**2600	0.13	24	2600	81.0	6.3	37.5
YTD4812032**5200	0.41	48	5200	163.0	25.0	57.6
YTD4812032**3700	0.21	48	3700	117.2	13.0	46.7
YTD4812032**2600	0.11	48	2600	81.0	6.3	37.5

Remarks:

1-Electric Characteristics:

1):Standard 2-Pin;

2):Frequency Generation 3-Pin or more.

2-Function :

1):Automatic Restart & Locked Current Protection;

2):Rotate Detection Automatic Restart & Locked Current Protection;

3):Pulse Width Modulation & Automatic Restart & Locked Current Protection (PWM).

The spec is for reference only, it's subject to change without any prior notice.

Note:

①- Reference standard: CCC GB12350-2009

②- Reference standard: UL

③- Reference standard: TUV

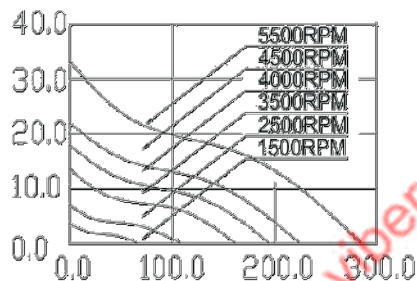
DC AXIAL FAN



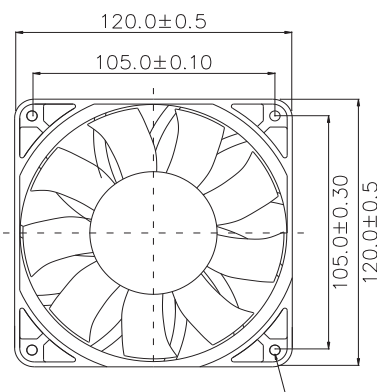
120x120x38mm DC FAN



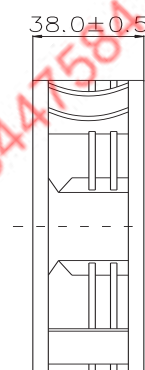
• Reference material



• Characteristic Curves



• Dimensions Drawing



• Dimensions Drawing

MODEL	CURRENT(A)	VOLTAGE (VDC)	SPEED (RPM)	AIR FLOW (CFM)	Air Pressure (mmAq)	NOISE (dBA)
YTD1212038**3800	0.70	12	3800	163.07	12.57	53.71
YTD1212038**3200	0.40	12	3200	139.78	9.14	49.81
YTD1212038**2600	0.30	12	2600	116.75	6.24	42.68
YTD2412038**3800	0.60	24	3800	163.07	12.57	53.71
YTD2412038**3200	0.40	24	3200	139.78	9.14	49.81
YTD2412038**2600	0.20	24	2600	116.75	6.24	42.68
YTD4812038**3800	0.30	48	3800	163.07	12.57	53.71
YTD4812038**3200	0.20	48	3200	139.78	9.14	49.81
YTD4812038**2600	0.10	48	2600	116.75	6.24	42.68

Remarks:

1-Electric Characteristics:

1):Standard 2-Pin;

2):Frequency Generation 3-Pin or more.

2-Function :

1):Automatic Restart & Locked Current Protection;

2):Rotate Detection Automatic Restart & Locked Current Protection;

3):Pulse Width Modulation & Automatic Restart & Locked Current Protection (PWM).

The spec is for reference only, it's subject to change without any prior notice.

Note:

①- Reference standard: CCC GB12350-2009

②- Reference standard: UL

③- Reference standard: TUV

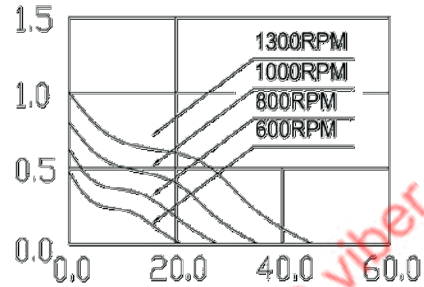
DC AXIAL FAN



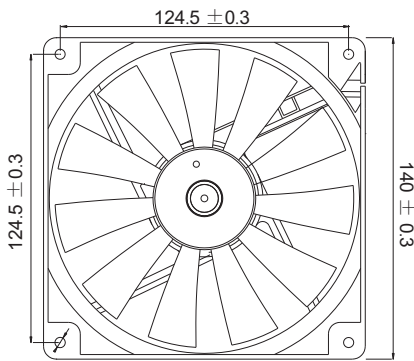
140x140x25mm DC FAN



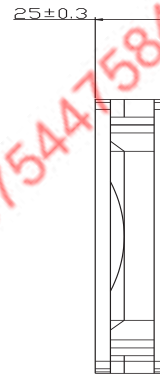
• Reference material



• Characteristic Curves



• Dimensions Drawing



• Dimensions Drawing

MODEL	CURRENT(A)	VOLTAGE (VDC)	SPEED (RPM)	AIR FLOW (CFM)	Air Pressure (mmAq)	NOISE (dBA)
YTD1214025**2000	0.30	12	2000	91.25	3.52	37.30
YTD1214025**1700	0.25	12	1700	77.41	3.24	32.47
YTD1214025**1400	0.20	12	1400	63.75	2.26	29.85
YTD2414025**2000	0.23	24	2000	91.25	3.52	37.30
YTD2414025**1700	0.18	24	1700	77.41	3.24	32.47
YTD2414025**1400	0.13	24	1400	63.75	2.26	29.85

Remarks:

1-Electric Characteristics:

- 1):Standard 2-Pin;
- 2):Frequency Generation 3-Pin or more.

2-Function :

- 1):Automatic Restart & Locked Current Protection;
- 2):Rotate Detection Automatic Restart & Locked Current Protection;
- 3):Pulse Width Modulation & Automatic Restart & Locked Current Protection (PWM).

The spec is for reference only, it's subject to change without any prior notice.

Note:

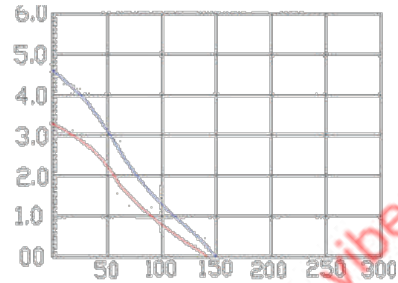
- ①- Reference standard: CCC GB12350-2009
- ②- Reference standard: UL
- ③- Reference standard: TUV

DC AXIAL FAN

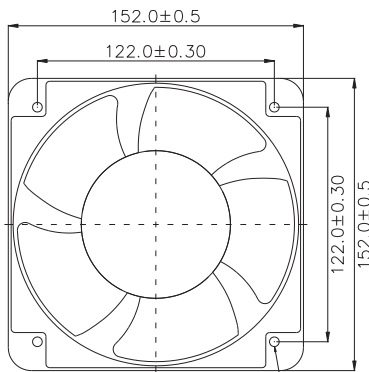
150x150x50mm DC FAN



• Reference material



• Characteristic Curves



• Dimensions Drawing



• Dimensions Drawing

MODEL	CURRENT(A)	VOLTAGE (VDC)	SPEED (RPM)	AIR FLOW (CFM)	Air Pressure (mmAq)	NOISE (dBA)
YTD121550**4000	1.95A	12	4000	300.1	28.5	72.9
YTD121550**3600	1.55A	12	3600	269.0	23.3	66.8
YTD241550**4000	1.13A	24	4000	300.1	28.5	72.9
YTD241550**3600	0.91A	24	3600	269.0	23.3	66.8
YTD481550**4000	0.68A	48	4000	300.1	28.5	72.9
YTD481550**3600	0.55A	48	3600	269.0	23.3	66.8

Remarks:

1-Electric Characteristics:

1):Standard 2-Pin;

2):Frequency Generation 3-Pin or more.

2-Function :

1):Automatic Restart & Locked Current Protection;

2):Rotate Detection Automatic Restart & Locked Current Protection;

3):Pulse Width Modulation & Automatic Restart & Locked Current Protection (PWM).

The spec is for reference only, it's subject to change without any prior notice.

Note:

①- Reference standard: CCC GB12350-2009

②- Reference standard: UL

③- Reference standard: TUV

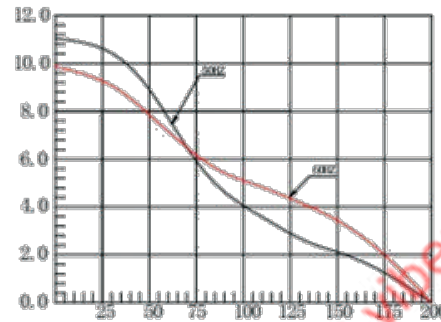
DC AXIAL FAN



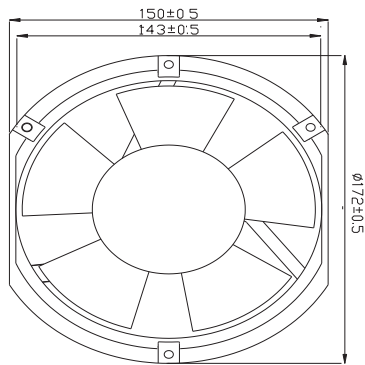
172x150x50.8mm DC FAN



• Reference material



• Characteristic Curves



• Dimensions Drawing



• Dimensions Drawing

MODEL	CURRENT(A)	VOLTAGE (VDC)	SPEED (RPM)	AIR FLOW (CFM)	Air Pressure (mmAq)	NOISE (dBA)
YTD1217251**3500	2.17	12	3500	271.8	18.4	56.2
YTD1217251**3000	1.56	12	3000	233.8	13.6	52.2
YTD1217251**2500	0.67	12	2500	194.1	9.4	47.4
YTD2417251**3500	0.98	24	3500	271.8	18.4	56.2
YTD2417251**3000	0.63	24	3000	233.8	13.6	52.2
YTD2417251**2500	0.36	24	2500	194.1	9.4	47.4
YTD4817251**3500	0.50	48	3500	271.8	18.4	56.2
YTD4817251**3000	0.39	48	3000	233.8	13.6	52.2
YTD4817251**2500	0.20	48	2500	194.1	9.4	47.4

Remarks:

1-Electric Characteristics:

1):Standard 2-Pin;

2):Frequency Generation 3-Pin or more.

2-Function :

1):Automatic Restart & Locked Current Protection;

2):Rotate Detection Automatic Restart & Locked Current Protection;

3):Pulse Width Modulation & Automatic Restart & Locked Current Protection (PWM).

The spec is for reference only, it's subject to change without any prior notice.

Note:

①- Reference standard: CCC GB12350-2009

②- Reference standard: UL

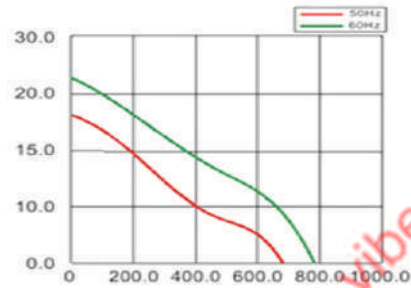
③- Reference standard: TUV

DC AXIAL FAN

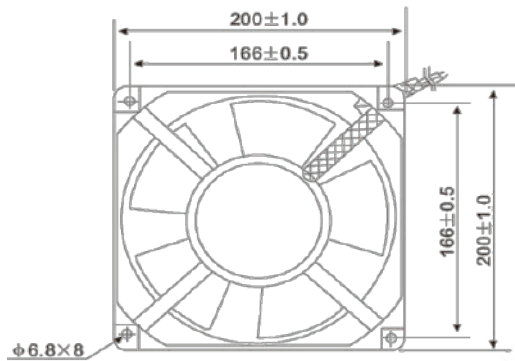
200x200x60mm DC FAN



• Reference material



• Characteristic Curves



• Dimensions Drawing



• Dimensions Drawing

MODEL	CURRENT(A)	VOLTAGE (VDC)	SPEED (RPM)	AIR FLOW (CFM)	Air Pressure (mmAq)	NOISE (dBA)
YTD2420060**2800	2.00	24	2800	595.2	65.6	74.4
YTD2420060**2500	1.50	24	2500	532.4	58.2	67.6
YTD2420060**2200	1.00	24	2200	467.1	51.5	55.8
YTD2420060**2000	0.70	24	2000	425.9	46.4	46.5
YTD4820060**2800	1.10	48	2800	595.2	65.6	74.4
YTD2420060**2500	0.80	48	2500	532.4	58.2	67.6
YTD2420060**2200	0.60	48	2200	467.1	51.5	55.8
YTD2420060**2000	0.40	48	2000	425.9	46.4	46.5

Remarks:

1-Electric Characteristics:

1):Standard 2-Pin;

2):Frequency Generation 3-Pin or more.

2-Function :

1):Automatic Restart & Locked Current Protection;

2):Rotate Detection Automatic Restart & Locked Current Protection;

3):Pulse Width Modulation & Automatic Restart & Locked Current Protection (PWM).

The spec is for reference only, it's subject to change without any prior notice.

Note:

①- Reference standard: CCC GB12350-2009

②- Reference standard: UL

③- Reference standard: TUV

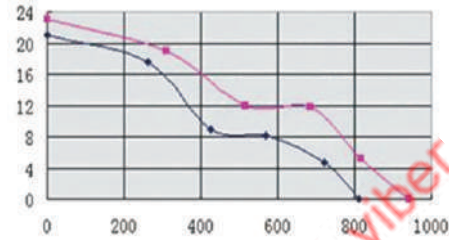
DC AXIAL FAN



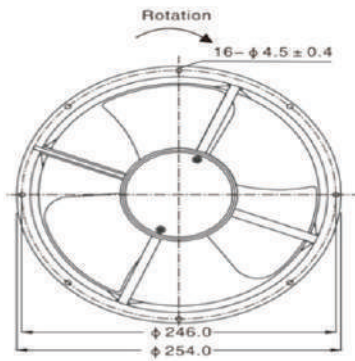
254x254x89mm DC FAN



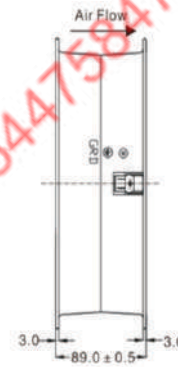
• Reference material



• Characteristic Curves



• Dimensions Drawing



• Dimensions Drawing

MODEL	CURRENT(A)	VOLTAGE (VDC)	SPEED (RPM)	AIR FLOW (CFM)	Air Pressure (mmAq)	NOISE (dBA)
YTD2425489**1800	1.23	29.52	1800	623	15.75	55
YTD2425489**2200	1.95	46.80	2200	738	22.10	60
YTD2425489**2600	2.92	70.08	2600	857	28.96	64
YTD4825489**1800	0.60	28.80	1800	623	15.75	55
YTD4825489**2200	0.96	46.08	2200	738	22.10	60
YTD4825489**2600	1.43	68.64	2600	857	28.96	64

Remarks:

1-Electric Characteristics:

- 1):Standard 2-Pin;
- 2):Frequency Generation 3-Pin or more.

2-Function :

- 1):Automatic Restart & Locked Current Protection;
- 2):Rotate Detection Automatic Restart & Locked Current Protection;
- 3):Pulse Width Modulation & Automatic Restart & Locked Current Protection (PWM).

The spec is for reference only, it's subject to change without any prior notice.

Note:

- ①- Reference standard: CCC GB12350-2009
- ②- Reference standard: UL
- ③- Reference standard: TUV

Вентилятор YINGTIAN **Минск +375447584780 viber email minsk17@tut.by**
www.fotorele.net www.tiristor.by радиодетали, электронные компоненты
tel.+375 29 758 47 80 мтс тел город 8(017)3779133

КАТАЛОГ

ВЕНТИЛЯТОРЫ

ОСЕВЫЕ ВЕНТИЛЯТОРЫ

купить, продажа

электронные компоненты

[где и как купить в Минске?](#)



каталог, описание, технические, характеристики, datasheet, параметры,
маркировка, габариты, фото, модуль, Вентилятор, YINGTIAN